



LBC 3941/11 Sound Projector



The LBC 3941/11 is a 6 W cost-effective sound projector. It features a very wide opening angle and unobtrusive styling. Water and dust protection to IP 65 make it suitable for indoor and outdoor use.

Functions

The sound projector features a very wide opening angle (90 degrees) which means fewer units are required to cover a given area. Its wide frequency range also results in better speech and music reproduction, while the directivity ensures that the sound is accurately projected to where it is needed most.

The LBC 3941/11 sound projector is finished in an attractive off-white color, and its unobtrusive appearance complements today's interior lighting. The color and styling of the front grille matches an existing Bosch ceiling loudspeaker (LBC 3951/11).

Certifications and Approvals

All Bosch loudspeakers are designed to withstand operating at their rated power for 100 hours in accordance with IEC 268-5 Power Handling Capacity (PHC) standards. Bosch has also developed the Simulated Acoustical Feedback Exposure (SAFE) test to demonstrate that they can withstand two times their rated power for short

- ▶ Excellent speech and music reproduction
- ▶ Very wide opening angle
- ▶ Modern unobtrusive styling
- ▶ Simple power setting
- ▶ Splash – waterproof
- ▶ Compact yet powerful
- ▶ Complies with international installation and safety regulations

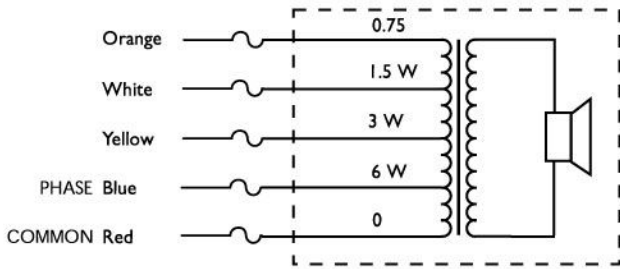
durations. This ensures extra reliability under extreme conditions, leading to higher customer satisfaction, longer operating life, and much less chance of failure or performance deterioration.

The enclosures are made from high-impact self-extinguishing ABS (according to class UL 94 V0).

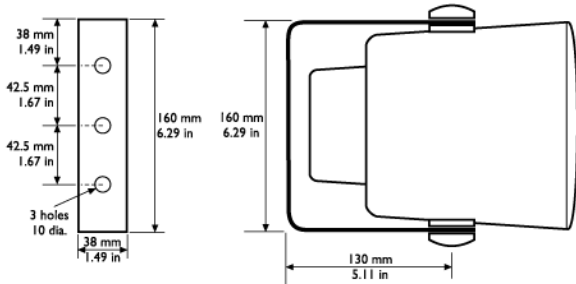
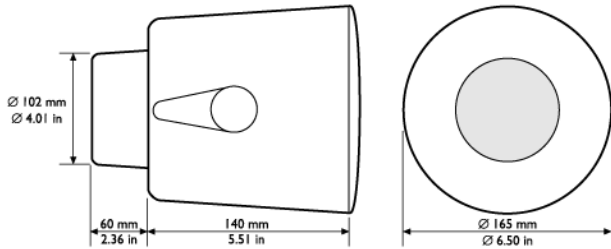
Safety	acc. to EN 60065
Water protected	acc. to EN 60529, IP 65
Self-Extinguishing	acc. to UL 94 V0

Installation/Configuration Notes

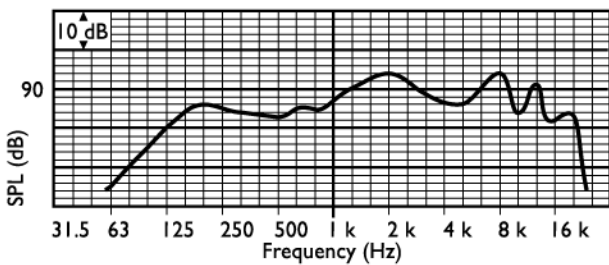
The sound projector is supplied with a steel mounting bracket painted in white. The bracket has three 10 mm holes, which can be used to easily mount the projector to walls and ceilings. The direction of the projector can be adjusted by means of two screws covered with white plastic covers. The unit is supplied with a 2 m color-coded five-core cable, with each color connected to a different primary tap on the matching transformer. This makes it easy to select full-power, half-power, quarter-power and eighth-power radiation without opening the unit during installation.



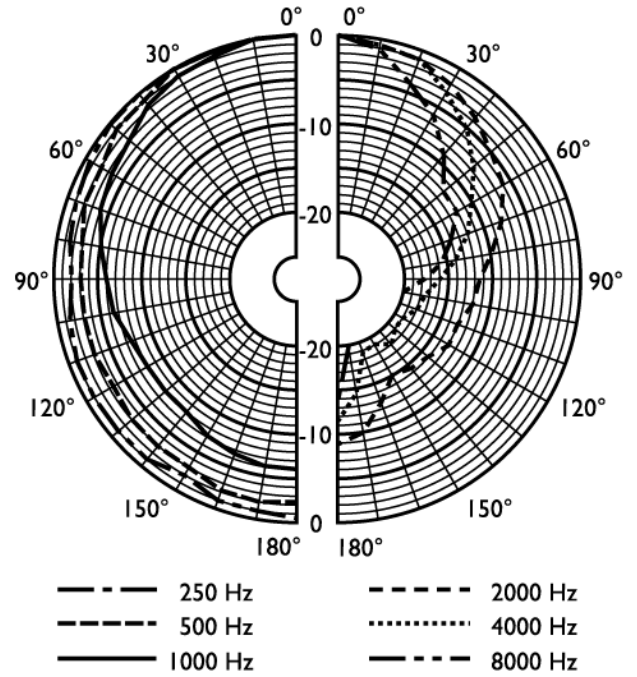
Circuit diagram



Dimensions in mm (in)



Frequency response



Polar diagram (measured with pink noise)

	125 Hz	250 Hz	500 Hz	1 kHz	2 kHz	4 kHz	8 kHz
SPL 1.1	82	84	83	88	92	88	88
SPL max.	90	92	91	96	100	96	96
Q-factor	1.2	1.2	1.6	2.9	5.1	8.5	18
Efficiency	0.17	0.26	0.16	0.28	0.39	0.09	0.04
H. angle	360	360	360	180	120	90	60
V. angle	360	360	360	180	120	90	60

Acoustical performance specified per octave

Technical Specifications

Electrical*

Maximum power	9 W
Rated power	6 / 3 / 1.5 / 0.75 W
Sound pressure level at 6 W / 1 W (1 kHz, 1 m)	96 dB / 88 dB (SPL)
Opening angle at 1 kHz / 4 kHz (-6 dB)	180° / 90°
Effective frequency range (-10 dB)	130 Hz to 18 kHz
Rated voltage	100 V
Rated impedance	1667 ohm
Connection	2 m 5-wire cable

* Technical performance data acc. to IEC 60268-5

Mechanical

Dimensions (D x L)	165 x 200 mm (6.50 x 7.87 in)
Speaker diameter	100 mm (4 in)
Weight	1.5 kg (3.3 lb)
Color	White (RAL 9010)
Magnet weight	101 g (3.57 oz)

Environmental

Operating temperature	-25 °C to +55 °C (-13 °F to +131 °F)
Storage temperature	-40 °C to +70 °C (-40 °F to +158 °F)
Relative humidity	<95%

Ordering Information

LBC 3941/11 Sound Projector
6 W, white ABS

LBC 3941/11

Europe, Middle East, Africa:
Bosch Security Systems B.V.
P.O. Box 80002
5600 JB Eindhoven, The Netherlands
Phone: + 31 40 2577 284
Fax: +31 40 2577 330
emea.securitysystems@bosch.com
www.boschsecurity.com

Americas:
Bosch Security Systems, Inc.
130 Perinton Parkway
Fairport, New York, 14450, USA
Phone: +1 800 289 0096
Fax: +1 585 223 9180
security.sales@us.bosch.com
www.boschsecurity.us

Asia-Pacific:
Bosch Security Systems Pte Ltd
38C Jalan Pemimpin
Singapore 577180
Phone: +65 6319 3450
Fax: +65 6319 3499
apr.securitysystems@bosch.com
www.boschsecurity.com

Represented by