

MD 441 U

Microphones | Dynamic Microphone

Cat. No. 000762

General Description

The MD 441 U is a microphone of exceptional quality: its acoustic properties come as close as possible to those of a condenser microphone. Accurate signal response and low distortion are ensured, even with the highest sound pressure levels. Surface: all metal body with black leatherette finish, sound inlet basket: nickel plated.



Cable pictured is an accessory not supplied with the microphone

Features

- Excellent feedback rejection
- Excellent sound quality
- Spring capsule mounting provides low sensitivity to handling noise
- Hum compensating coil
- Five position bass roll-off switch
- Brilliance (treble boost) switch
- Integral pop filter
- Delivery includes: 1 MD 441 U
1 microphone clamp MZA 441

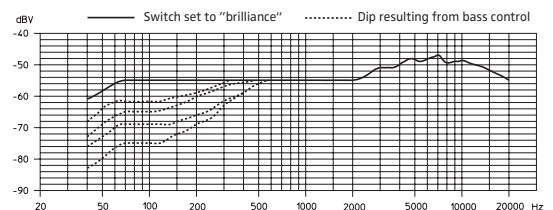
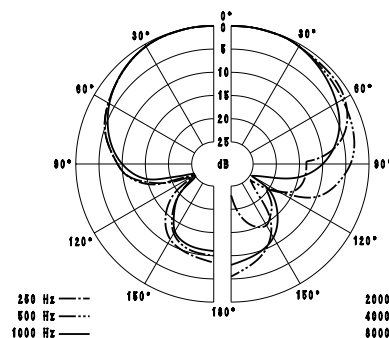
Recommended Accessories

- MZT 100 table stand
- MZT 441 table stand
- MZT 14 mounting bolt
- MZW 40 foam windshield
- MZW 441 foam windshield

- Cat. No. 001883
- Cat. No. 000799
- Cat. No. 001895
- Cat. No. 001794
- Cat. No. 000976

Technical Data

| | |
|--|------------------|
| Pick-up pattern | super-cardioid |
| Frequency response | 30 – 20,000 Hz |
| Sensitivity (free field, no load, 1 kHz) | 1.8 mV/Pa ± 2 dB |
| Nominal impedance | 200 Ω |
| Min. terminating impedance | 1 kΩ |
| Dimensions | 270 x 33 x 36 mm |
| Weight | approx. 450 g |



Profile

Super-cardioid studio microphone, hum compensating coil, five position bass control, brilliance switch, integral pop filter, frequency response 30 – 20,000 Hz, sensitivity (free field, no load) 1.8 mV/Pa ± 2 dB at 1 kHz, nominal impedance 200 Ω, min. terminating impedance 1 kΩ, dimensions 270 x 33 x 36 mm, weight approx. 450 g.