

SK 250

RF Wireless Systems | 5000 Series Bodypack Transmitters

General Description

The SK 250 bodypack transmitter fulfils the most stringent demands on operation and mechanical stability. Compared to the SK 50, it has a higher output power, making it the ideal choice for broadcast applications.



Technical Data SK 250 UHF-a

RF output power	max. 250 mW (-1 dB)
Transmission frequencies	16
Frequency range.....	450–960 MHz
Switching bandwidth.....	24 MHz
Modulation.....	wideband FM
Nominal/peak deviation	± 40 kHz / ± 56 kHz
Noise reduction system	HiDyn <i>plus</i> ™
Input sensitivity for	13 mV–1.55 V
peak deviation	switchable in 8 steps
AF frequency response.....	45–20,000 Hz
Signal-to-noise ratio	>117 dB(A) _{rms}
THD (at nom. deviation)	<1 %
Connectors	
- AF	special 3-pin audio socket
- RF	co-ax socket
Operating time with	
B 250-1/BA 250-1	> 2.5 hrs / > 4.5 hrs
Dimensions with	
B 250-1/BA 250-1	116 x 60 x 17 mm
Weight incl. B 250-1/BA 250-1	approx. 230 g

Features

- Bodypack transmitter for demanding broadcast and musical applications
- Battery status transmitted to suitable receivers
- Extremely reliable special sockets, metal housing
- Quick change accupack or battery box
- 16 switchable carrier frequencies per frequency window, PLL-controlled
- HiDyn *plus*™ noise reduction system
- RF output power max. 250 mW
- Delivery includes: 1 SK 250 bodypack transmitter, 1 channel switcher, 1 set of colour-coded identification markers, 1 antenna

Product Variants

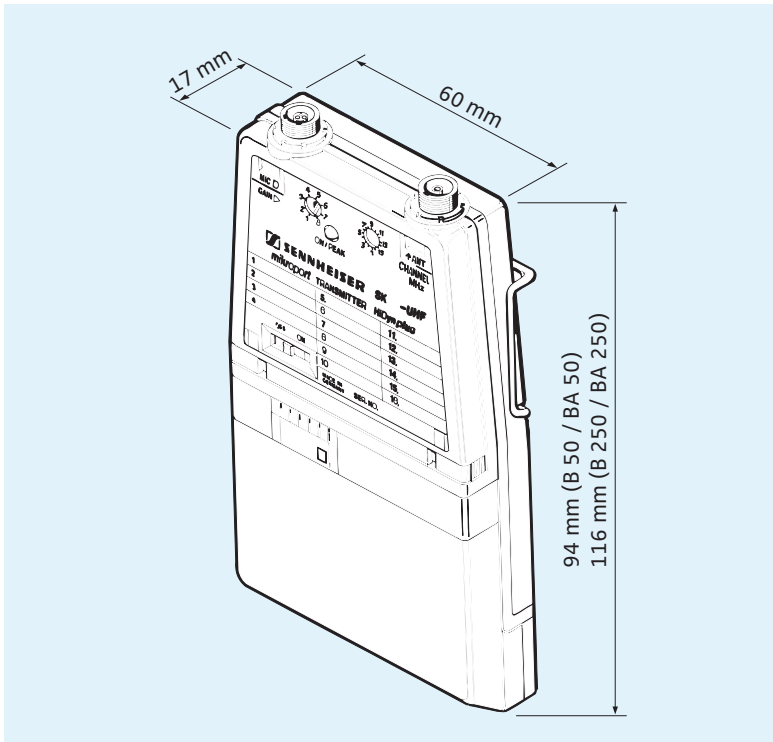
■ SK 250-UHF-A: 450–580 MHz	Cat. No. 005525
■ SK 250-UHF-B: 540–730 MHz	Cat. No. 005526
■ SK 250-UHF-C: 680–860 MHz	Cat. No. 005527
■ SK 250-UHF-D: 800–960 MHz	Cat. No. 005377
■ SK 250-VHF-A: 138–170 MHz	Cat. No. 005528
■ SK 250-VHF-B: 170–225 MHz	Cat. No. 005529
■ SK 250-VHF-C: 210–260 MHz	Cat. No. 005530

Technical Data SK 250 VHF

RF output power	max. 250 mW (-1 dB)
Transmission frequencies	16
Frequency range.....	138–250 MHz
Switching bandwidth.....	7 MHz
Modulation.....	wideband FM
Nominal/peak deviation	± 40 kHz / ± 56 kHz
Noise reduction system	HiDyn <i>plus</i> ™
Input sensitivity for	13 mV–1.55 V
peak deviation	switchable in 8 steps
AF frequency response.....	45–20,000 Hz
Signal-to-noise ratio	>117 dB(A) _{rms}
THD (at nom. deviation)	<1 %
Connectors	
- AF	special 3-pin audio socket
- RF	co-ax socket
Operating time with	
B 250-1/BA 250-1	> 2.5 hrs / > 4.5 hrs
Dimensions with	
B 250-1/BA 250-1	116 x 60 x 17 mm
Weight incl. B 250-1/BA 250-1	approx. 230 g

SK 50/SK 250

RF Wireless Systems | 5000 Series Bodypack Transmitters



Dimensions of the SK 50 / SK 250

Recommended Accessories for SK 50 / SK 250

- | | |
|---|-----------------|
| ■ B 50-1 battery box for 2 AA size batteries (only for SK 50) | Cat. No. 005269 |
| ■ B 250-1 battery box for 3 AA size batteries | Cat. No. 005271 |
| ■ BA 50-1 accupack with 2 NiMH cells (only for SK 50) | Cat. No. 005270 |
| ■ BA 250-1 accupack with 3 NiMH cells | Cat. No. 005272 |
| ■ L 50 charger for 2 accupacks | Cat. No. 003554 |
| ■ DCA 50 power adaptor | Cat. No. 003839 |
| ■ NT 50 plug-in mains unit for 4 chargers* | Cat. No. 003594 |
| ■ SK 50 T protection bag, beige | Cat. No. 003972 |
| ■ MKE 2-4 Gold-C clip-on microphone, omni, black | Cat. No. 004736 |
| ■ MKE 2-4-3 Gold-C clip-on microphone, omni, beige | Cat. No. 004739 |
| ■ MKE platinum-4-C clip-on microphone, omni, black | Cat. No. 005276 |
| ■ MKE platinum-4-3-C clip-on microphone, omni, beige | Cat. No. 005277 |
| ■ MZ 2-1 Gold accessory kit | Cat. No. 004741 |
| ■ MZ 2-2 Gold accessory kit | Cat. No. 004742 |
| ■ MZ 2-3 Gold accessory kit | Cat. No. 004743 |
| ■ ME 102 ant mini mic head, omni (anthracite)** | Cat. No. 003876 |
| ■ ME 102 nickel mini mic head, omni (nickel)** | Cat. No. 003838 |
| ■ ME 104 ant mini mic head, cardioid (anthracite)** | Cat. No. 004227 |
| ■ ME 104 nickel mini mic head, cardioid (nickel)** | Cat. No. 004228 |
| ■ KA 100 S-4 ant steel cable, straight plug (ant) | Cat. No. 004235 |
| ■ KA 100 S-4 beige steel cable, straight plug (beige) | Cat. No. 004236 |
| ■ KA 100-4 ant copper cable, rt.-angled plug (ant) | Cat. No. 004233 |
| ■ KA 100-4 gr copper cable, rt.-angled plug (grey) | Cat. No. 004234 |
| ■ MZ 100 accessory kit | Cat. No. 004226 |
| ■ MZM 2 / MZM 10 magnetic mount set | Cat. No. 001866 |

*For US and UK versions see "Accessories"

**Delivery includes windshield