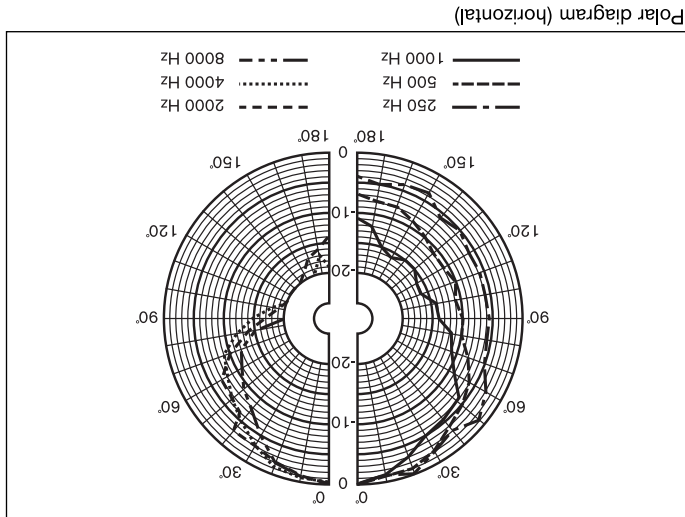
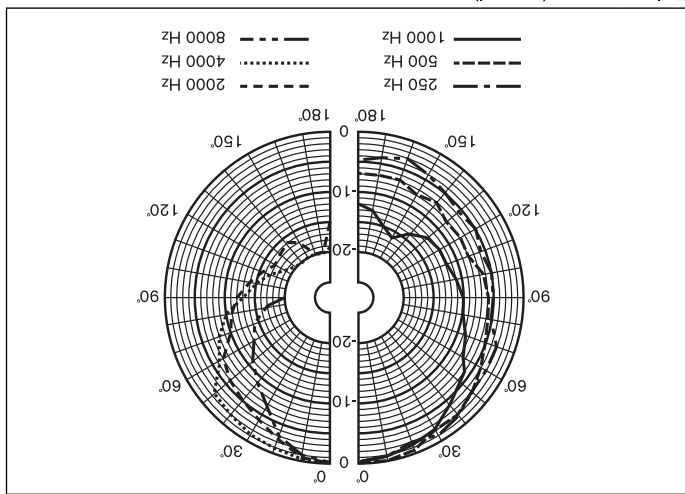


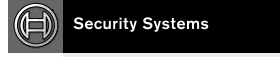
TECHNICAL PERFORMANCE DATA ACC. TO IEC 268-5

Maximum power
45 W
Rated power (PHC)
30 W (30 - 15 - 7.5 - 3.75 W)
Sound pressure level at 30 W/1 m
Effective frequency range (-10 dB)
(at 1 kHz, 1 m)
Opening angle (at 1 kHz/4 kHz, -6 dB)
horizontal
vertical
Rated voltage
105/90°
110°/125°
Rated impedance
33 Ω
Ambient temperature range
-25 to +55 °C
Safety
acc. to EN 60065
Water protected
Connection
Dimensions (h x w x d)
Colour
Weight

LBC 3700/00
45 W
30 W (30 - 15 - 7.5 - 3.75 W)
112 dB/97 dB (SPL)
125 Hz to 20 kHz
105°/90°
vertical
horizontal
Rated voltage
100 V
33 Ω
-25 to +55 °C
acc. to EN 60065
acc. to IEC 529 IP 65
screw terminal block
260 x 442 x 287,5 mm (10,2 x 17,4 x 11,3 in)
light grey (RAL 7035)
5 kg (11 lbs)



Loudspeakers



EN | Instructions for use
LBC3700/00

