



BOSCH
Invented for life

LB1-CW06-x Corner Cabinet Loudspeakers



- ▶ **Good speech intelligibility and background music reproduction**
- ▶ **Special shape for mounting in corners**
- ▶ **Available in black or white**
- ▶ **MDF construction**
- ▶ **Compliance with international installation and safety regulation**

The LB1-CW06-x is a 6 W, general-purpose cost-effective loudspeaker for indoor use. Two brackets with keyholes, fixed on one side provide quick and easy mounting in corners between two walls, or between a wall and ceiling. The cabinet is available in black or white.

operating life, and much less chance of failure or performance deterioration.

Safety acc. to EN 60065

Functions

The robust, solid MDF (Medium Density Fiber board) enclosures are covered with a durable, easy-to-clean vinyl in white or black. The ABS fronts are covered with fine woven cloth in matching color.

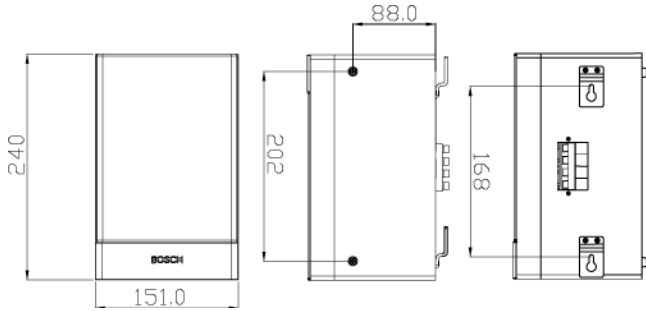
The cabinet shapes allow installation in corners between walls, and between wall and ceiling.

Certifications and Approvals

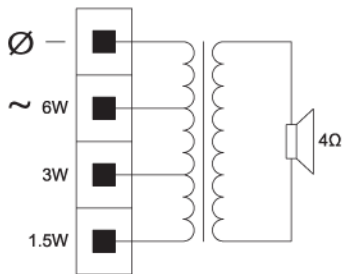
All Bosch loudspeakers are designed to withstand operating at their rated power for 100 hours in accordance with IEC 268-5 Power Handling Capacity (PHC) standards. Bosch has also developed the Simulated Acoustical Feedback Exposure (SAFE) test to demonstrate that they can withstand two times their rated power for short durations. This ensures extra reliability under extreme conditions, leading to higher customer satisfaction, longer

Installation/Configuration Notes

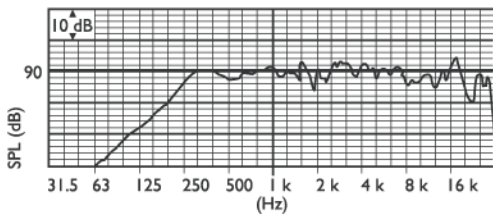
Two keyhole brackets at one side of the cabinet are provided for easy and quick wall mounting. The other side of the cabinet is provided with two rubber feet for absorbing unwanted vibrations and secure mounting. A convenient easy-to-use, 4-pole push-in terminal block is present on the side for on-site wiring. This terminal block has provision for power tapping on the 100-volt, matching transformer in the cabinet. It allows selection of nominal full-power, half-power, or quarter-power radiation (in 3 dB steps).



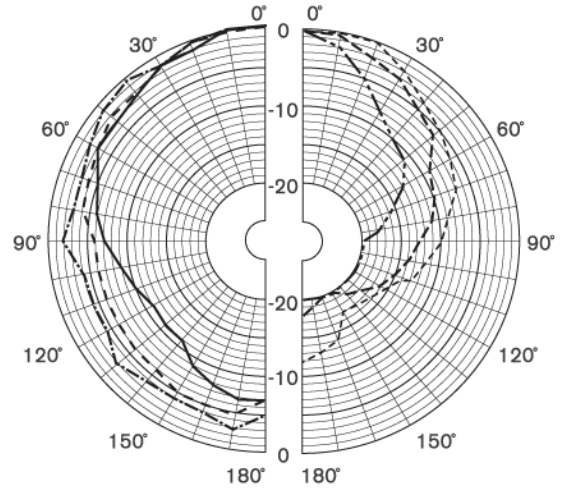
Dimensions in mm



Circuit diagram

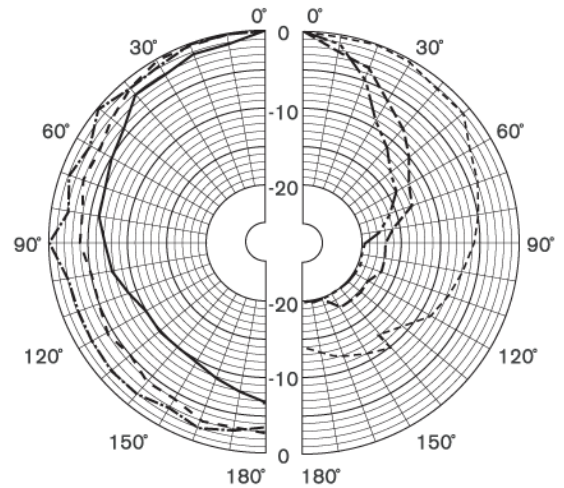


Frequency response



- - - - - 250 Hz - - - - - 2000 Hz
 - - - - - 500 Hz - - - - - 4000 Hz
 - - - - - 1000 Hz - - - - - 8000 Hz

Polar diagram horizontal (measured with pink noise)



- - - - - 250 Hz - - - - - 2000 Hz
 - - - - - 500 Hz - - - - - 4000 Hz
 - - - - - 1000 Hz - - - - - 8000 Hz

Polar diagram vertical (measured with pink noise)

Technical Specifications

Electrical*

Maximum power	9 W
Rated power	6 / 3 / 1.5 W
Sound pressure level at 6 W / 1 W (1 kHz, 1 m)	99 dB / 91 dB (SPL)
Effective frequency range (-10 dB)	180 Hz to 20 kHz
Opening angle horizontal	1 kHz / 4 kHz (-6 dB) 165° / 95°
vertical	150° / 75°
Rated input voltage	100 V
Rated impedance	1667 ohm
Connector	4-pole push-in terminal block

* Technical performance data acc. to IEC 60268-5

Mechanical

Dimensions (H x W x D)	240 x 151 x 138 mm (9.5 x 5.9 x 5.6 in)
Weight	0.8 kg (1.8 lb)
Color cabinet / cloth (D)	Black (D) or white (L) Matches RAL 9004 / RAL 9004
cabinet / cloth (L)	Matches RAL 9010 / RAL 7044

Environmental

Operating temperature	-25 °C to +55 °C (-13 °F to +131 °F)
Storage temperature	-40 °C to +70 °C (-40 °F to +158 °F)
Relative humidity	<95%

Ordering Information

LB1-CW06-D Corner Cabinet Loudspeaker 6 W, black	LB1-CW6-D
LB1-CW06-L Corner Cabinet Loudspeaker 6 W, white	LB1-CW6-L

Europe, Middle East, Africa:
Bosch Security Systems B.V.
P.O. Box 80002
5600 JB Eindhoven, The Netherlands
Phone: + 31 40 2577 284
Fax: +31 40 2577 330
emea.securitysystems@bosch.com
www.boschsecurity.com

Americas:
Bosch Security Systems, Inc.
130 Perinton Parkway
Fairport, New York, 14450, USA
Phone: +1 800 289 0096
Fax: +1 585 223 9180
security.sales@us.bosch.com
www.boschsecurity.us

Asia-Pacific:
Bosch Security Systems Pte Ltd
38C Jalan Pemimpin
Singapore 577180
Phone: +65 6319 3450
Fax: +65 6319 3499
apr.securitysystems@bosch.com
www.boschsecurity.com

Represented by