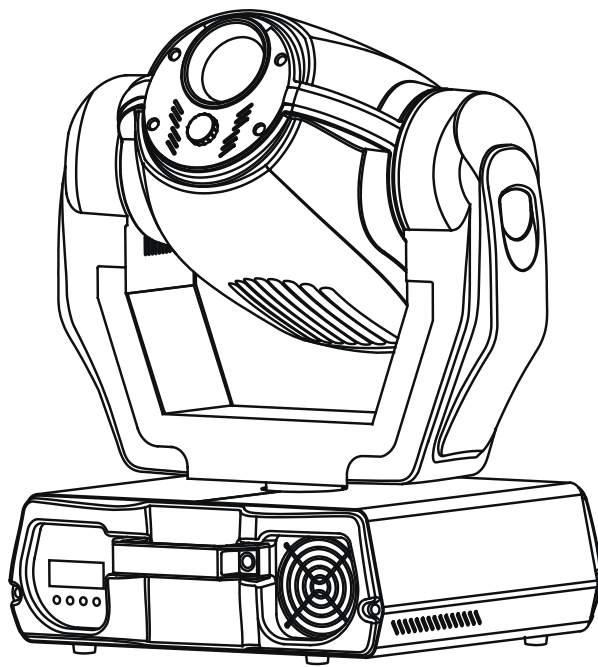


**CB
&
SERIES**

ClubSpot 250^{CT}



ROBE.
show lighting

USER MANUAL

Version 1.0

ClubSpot 250

Table of contents

1. Safety instructions	3
2. Operating determinations	4
3. Description of the device	5
4. Installation	6
4.1 Fitting the lamp	6
4.2 Lamp adjustment	7
4.3 Installation of an optional lens	7
4.4 Inserting/Exchanging gobos	8
4.5 Connection to the mains	9
4.6 Changing the power supply settings-magnetic ballast	9
4.7 Rigging the fixture	11
4.8 DMX-512 connection/connection between fixtures	14
5. ClubSpot 250 - DMX Protocol, version 1.0	15
6. Controller operation	17
6.1 DMX addressing	17
6.2 Remotely controllable functions	17
7. Stand - alone operation	18
8. Control menu map	19
9. Control menu	21
9.1 Fixture Address	21
9.2 Slave control	21
9.3 Fixture informations	21
9.4 Personality	22
9.5 Lamp On/Off	23
9.6 Test sequences	23
9.7 Stand-alone setting	24
9.8 Reset functions	24
9.9 Special functions	25
10. Error and information messages	26
11. Technical specifications	27
12. Maintenance and cleaning	29

CAUTION!
Keep this device away from rain and moisture!
Unplug mains lead before opening the housing!

**FOR YOUR OWN SAFETY, PLEASE READ THIS USER MANUAL CAREFULLY
BEFORE YOU INITIAL START - UP!**

1. Safety instructions

Every person involved with installation and maintenance of this device have to:

- be qualified
- follow the instructions of this manual

CAUTION!
Be careful with your operations.
With a high voltage you can suffer
a dangerous electric shock when touching the wires!

This device has left our premises in absolutely perfect condition. In order to maintain this condition and to ensure a safe operation, it is absolutely necessary for the user to follow the safety instructions and warning notes written in this manual.

Important:

The manufacturer will not accept liability for any resulting damages caused by the non-observance of this manual or any unauthorized modification to the device.

Please consider that damages caused by manual modifications to the device are not subject to warranty.

Never let the power-cord come into contact with other cables! Handle the power-cord and all connections with the mains with particular caution!

Make sure that the available voltage is not higher than stated on the rear panel.

Always plug in the power plug least. Make sure that the power switch is set to OFF-position before you connect the device to the mains. The power-plug has to be accessible after installing the device.

Make sure that the power cord is never crimped or damaged by sharp edges. Check the device and the power-cord from time to time.

Always disconnect from the mains, when the device is not in use or before cleaning it. Only handle the power-cord by the plug. Never pull out the plug by tugging the power-cord.

This device falls under protection class I. Therefore it is essential to connect the yellow/green conductor to earth.

The electric connection, repairs and servicing must be carried out by a qualified employee.
Do not connect this device to a dimmer pack.

Do not switch the fixture on and off in short intervals as this would reduce the lamp's life.

During the initial start-up some smoke or smell may arise. This is a normal process and does not necessarily mean that the device is defective.

Do not touch the device's housing bare hands during its operation (housing becomes hot)!
For replacement use lamps and fuses of same type and rating only.

CAUTION ! EYEDAMAGES !
Avoid looking directly into the light source
(meant especially for epileptics) !

2. Operating determinations

This device is a moving-head spot for creating decorative effects and was designed for indoor use only.

If the device has been exposed to drastic temperature fluctuation (e.g. after transportation), do not switch it on immediately. The arising condensation water might damage your device. Leave the device switched off until it has reached room temperature.

Never run the device without lamp!

Do not shake the device. Avoid brute force when installing or operating the device.

Never lift the fixture by holding it at the projector-head, as the mechanics may be damaged. Always hold the fixture at the transport handles.

When choosing the installation spot, please make sure that the device is not exposed to extreme heat, moisture or dust. There should not be any cables lying around. You endanger your own and the safety of others!

The minimum distance between light-output and the illuminated surface must be more than 1.3 meters.

Make sure that the area below the installation place is blocked when rigging, derigging or servicing the fixture.

Always fix the fixture with an appropriate safety rope. Fix the safety rope at the correct holes only.

Only operate the fixture after having checked that the housing is firmly closed and all screws are tightly fastened.

The lamp must never be ignited if the objective-lens or any housing-cover is open, as discharge lamps may explode and emit a high ultraviolet radiation, which may cause burns.

The maximum ambient temperature must never be exceeded. Otherwise, the lamp is switched off and the fixture is out of operation for 5 minutes.

CAUTION!

The lens has to be replaced when it is obviously damaged, so that its function is impaired, e. g. due to cracks or deep scratches!

Operate the device only after having familiarized with its functions. Do not permit operation by persons not qualified for operating the device. Most damages are the result of unprofessional operation!

CAUTION!

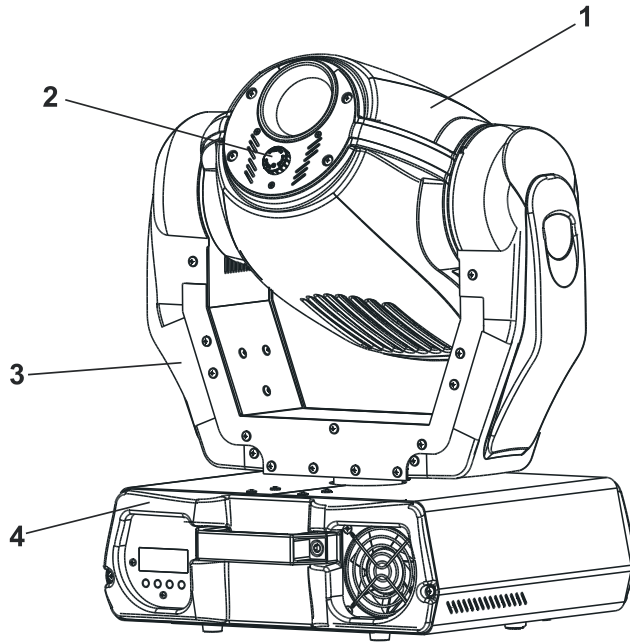
The lamp has to be replaced when it is damaged or deformed due to the heat!

Please use the original packaging if the device is to be transported.

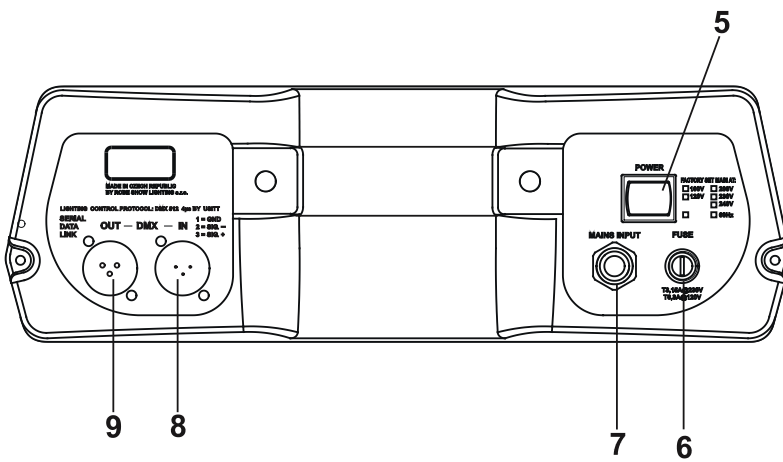
Please consider that unauthorized modifications on the device are forbidden due to safety reasons!

If this device will be operated in any way different to the one described in this manual, the product may suffer damages and the guarantee becomes void. Furthermore, any other operation may lead to dangers like short-circuit, burns, electric shock, burns due to ultraviolet radiation, lamp explosion, crash etc.

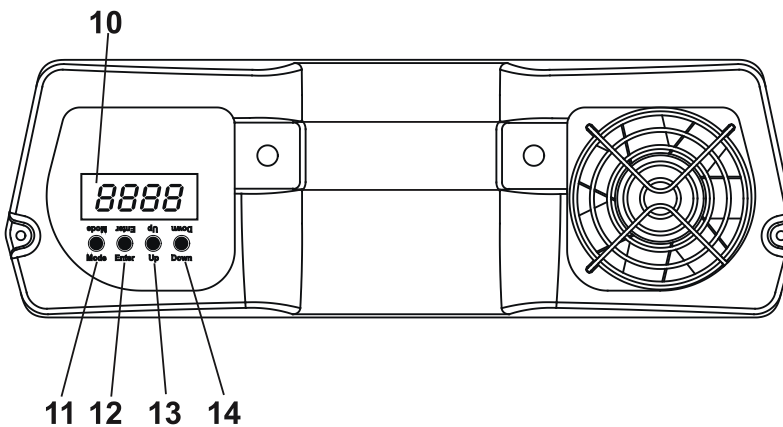
3. Description of the device



- 1 - Top cover of the head
- 2 - Manual focus
- 3 - Yoke
- 4 - Base



- Rear panel:**
- 5 - Power switch
 - 6 - Fuse holder
 - 7 - Power cord
 - 8 - 3-pin DMX input
 - 9 - 3-pin DMX output



- Front panel:**
- 10 - Display
 - 11 - Mode-button
 - 12 - Enter-button
 - 13 - Up-button
 - 14 - Down-button

4. Installation

4.1 Fitting the lamp

DANGER !
Install the lamps with the device switched off only.
Unplug from mains before !

To insert the lamp BA 250/2 open the top cover of the projector head by loosening the 4 screws on the cover.

Then open the small lamp cover by loosening 3 fastening screws (see the drawing).

If changing the lamp, remove the old lamp from the socket. Insert the lamp to the socket.

Do not install a lamp with a higher wattage! A lamp like this generates temperatures the device is not designed for.

Damages caused by non-observance are not subject to warranty. Please follow the lamp manufacturer's notes!

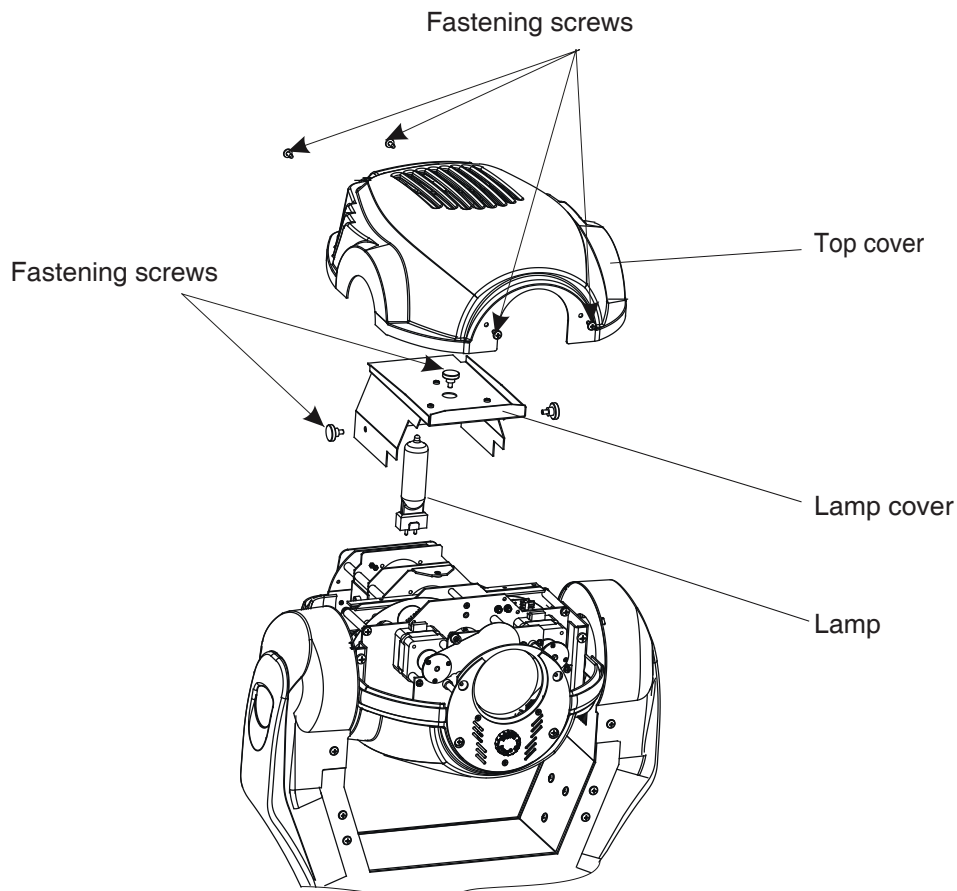
Do not touch the glass bulb with bare hands during the installation! Make sure that the lamp is installed tightly into the lampholder system.

Adjust the optimal distance 1-1.5 mm from the lens by turning the screw "A" (see the drawings "Lamp adjustment" below) on the rear panel of the head.

Then close the small lamp cover by tighten 3 fastening screws again.

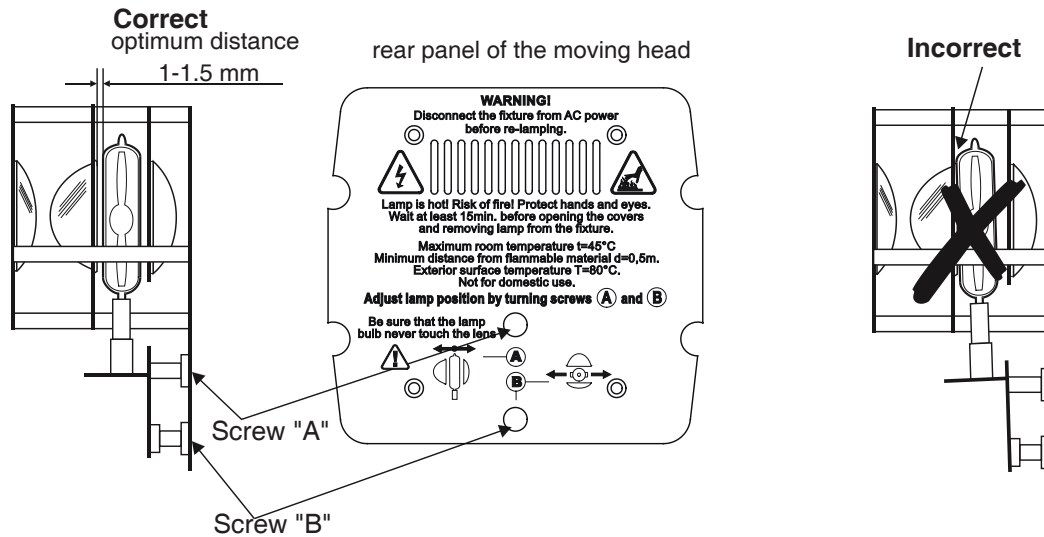
Reclose the top cover of the head and tighten the 4 fastening screws.

Before striking the lamp, reset the "LAti/rSEt" and "LAsT/rSEt" counters in the "InFO" menu on the control panel, by pressing the "Up" and "Down" buttons in one time and then confirming with the "Enter"-button.



Do not operate this fixture with opened housing-cover!

4.2 Lamp adjustment



The lampholder is aligned at the factory. Due to differences between lamps, fine adjustment may improve light performance.

Strike the lamp, cancel all effects, open the shutter and set the dimmer intensity onto 100 % and focus the light on a flat surface (wall) or use function “**LAAd**” in the **Special functions** . As the optimum distance of the lamp from lens was adjusted during the installing or changing the lamp (by turning the screw “**A**”), it is necessary to adjust only the second position by turning the screw “**B**”, in order to center the hot-spot (the brightest part of the beam).

If the hot spot seems to be too bright, you can lower its intensity by moving the lamp closer to the reflector. Do so by turning the screw “**A**” until the light is evenly distributed.

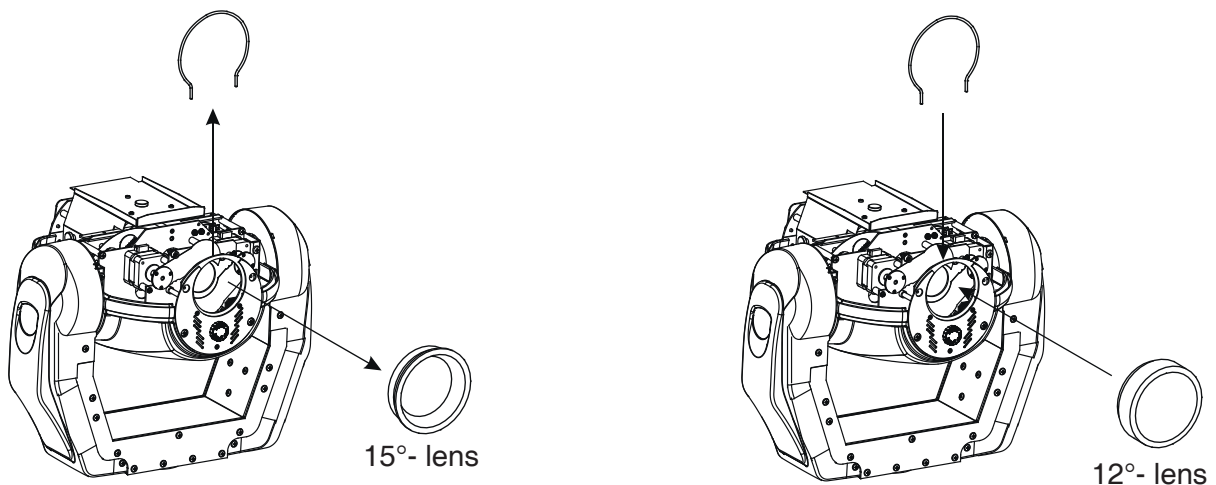
If the light on the edge seems to be brighter as in the center, the lamp is too close at the reflector. In this case, you need to move the lamp away from the reflector until the light is evenly distributed and the beam appears bright enough.

4.3 Installation of an optional lens

The device is delivered with a 15°-standard lens. If you wish to insert an optional 12° or 18°-lens (it is not the standard part of delivery), please follow the instructions below:

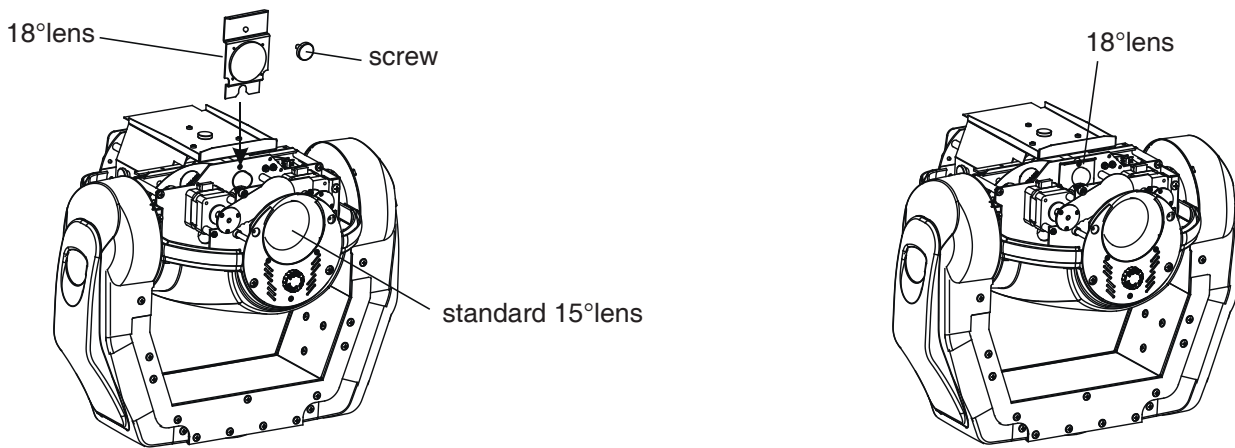
Optional 12°-lens:

Remove the fixation-ring of the 15°-lens with an appropriate tool. Remove the lens. Install the optional 12°-lens and fix it with the fixation-ring.



Optional 18°-lens:

Unscrew the knurled-head screw on the plate of the light-output. Install the optional 18°-lens and fix it with the knurled-head screw.

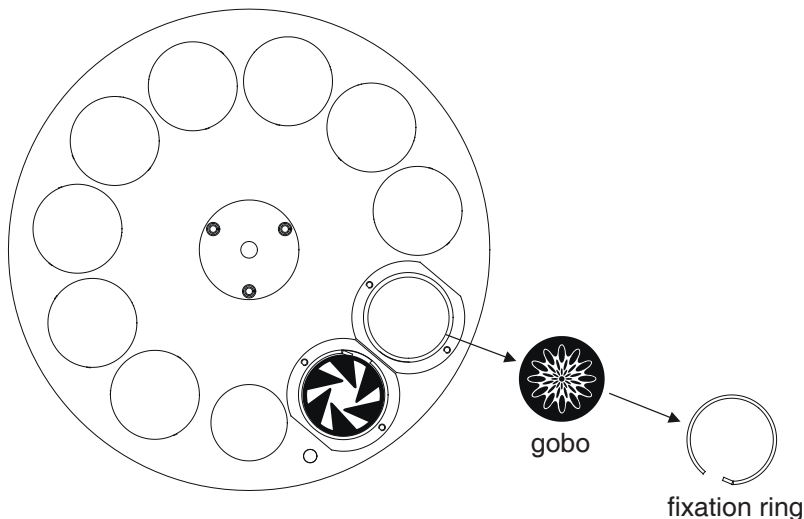


4.4 Inserting/Exchanging gobos

DANGER!
*Install the colours gobos with the device switched off only.
Unplug from mains before!*

It is possible to change 2 gobos on the static gobo wheel. Open the top cover of the head by loosening the 4 fastening screws on the top cover.

Remove the fixation-ring with an appropriate tool. Remove the gobo and insert the new gobo. Press the fixation-ring together and insert it in the front of the gobo.



4.5 Connection to the mains

Verify the power supply settings before applying power!


If you wish to change the power supply settings, see the chapter below.

Connect the fixture to the mains with the enclosed power plug. If you need to install other power plug on the power cable, follow the identification table below.

The earth has to be connected!

Do not connect the fixture to a dimmer system!

The occupation of the connection-cables is as follows:

Cable (EU)	Cable (US)	Pin	International
Brown	Black	Live	L
Light blue	White	Neutral	N
Yellow/Green	Green	Earth	

4.6 Changing the power supply settings-magnetic ballast

Both the transformer and the ballast must be connected correctly for the local AC voltage and frequency.

The wrong settings can cause poor performance or damage of the moving head. The factory settings are printed next to the power switch.

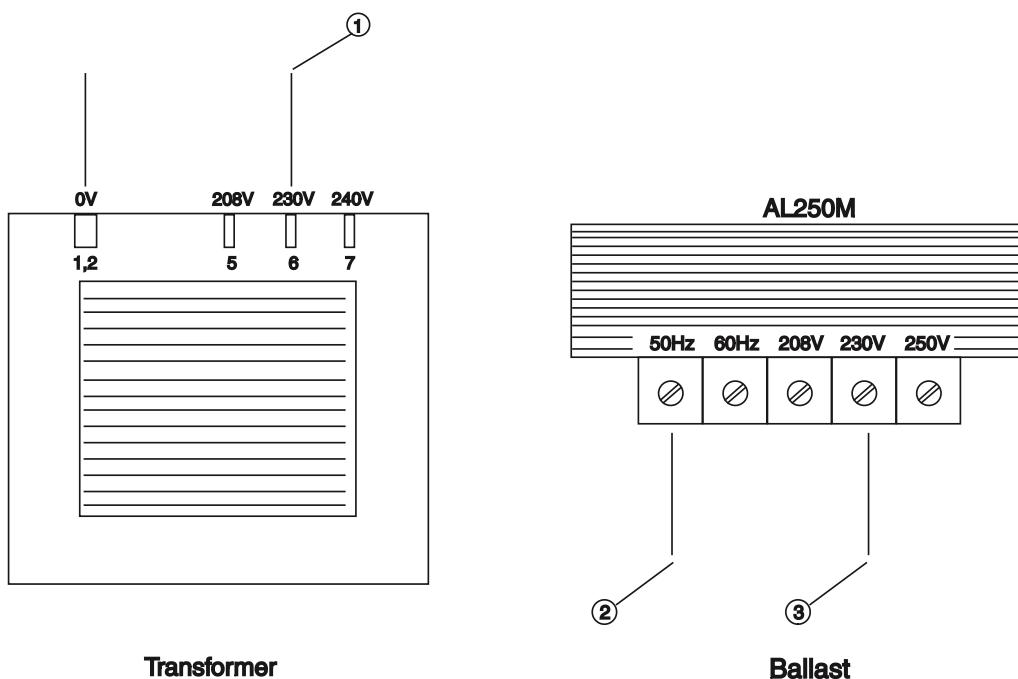
If you want to change the power supply settings, follow the instructions:

1. Disconnect the fixture from AC power.
2. Remove the 2 top base covers by loosening 16 screws.
3. Move the wire ① on the transformer connection block to the position according to the desired voltage.
4. Move the wires ② and ③ on the ballast connection block to the position according to the desired frequency (voltage).
5. Close the base before applying AC power.

Examples:

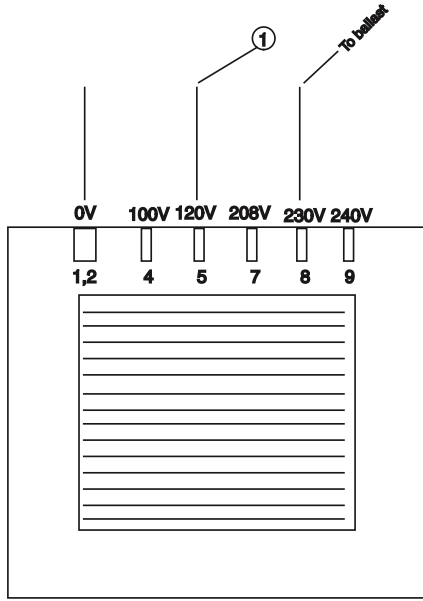
EU-version:

Power supply settings: 230V/50Hz

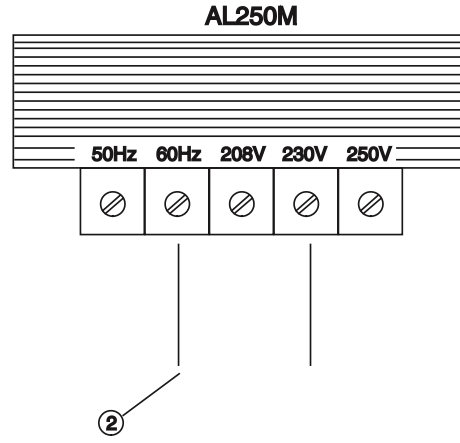


US-version:

Power supply settings: 120V/60Hz



Transformer



Ballast

4.7 Rigging the fixture

DANGER TO LIFE!

**Please consider the respective national norms during the installation!
The installation must only be carried out by an authorized distributor!**

The installation of the projector has to be built and constructed in a way that it can hold 10 times the weight for 1 hour without any harming deformation.

The installation must always be secured with a secondary safety attachment, e.g. an appropriate catch net. This secondary safety attachment must be constructed in a way that no part of the installation can fall down if the main attachment fails.

When rigging, derigging or servicing the fixture staying in the area below the installation place, on bridges, under high working places and other endangered areas is forbidden.

The operator has to make sure that safety-relating and machine-technical installations are approved by an expert before taking into operation for the first time and after changes before taking into operation another time.

The operator has to make sure that safety-relating and machine-technical installations are approved by an expert after every four year in the course of an acceptance test.

The operator has to make sure that safety-relating and machine-technical installations are approved by a skilled person once a year.

The projector should be installed outside areas where persons may walk by or be seated.

IMPORTANT! OVERHEAD RIGGING REQUIRES EXTENSIVE EXPERIENCE, including (but not limited to) calculating working load limits, installation material being used, and periodic safety inspection of all installation material and the projector. If you lack these qualifications, do not attempt the installation yourself, but instead use a professional structural rigger. Improper installation can result in bodily injury and/or damage to property.

The projector has to be installed out of the reach of people.

If the projector shall be lowered from the ceiling or high joists, professional trussing systems have to be used. The projector must never be fixed swinging freely in the room.

Caution: Projectors may cause severe injuries when crashing down! If you have doubts concerning the safety of a possible installation, do NOT install the projector!

Before rigging make sure that the installation area can hold a minimum point load of 10 times the projector's weight.

Danger of fire !

When installing the device, make sure there is no highly inflammable material (decoration articles, etc.) in between a distance of min. 0,7 m.

CAUTION!

**Use 2 appropriate clamps to rig the fixture on the truss.
Follow the instructions mentioned at the bottom of the base.
Make sure that the device is fixed properly! Ensure that the structure (truss) to which you are attaching the fixtures is secure.**

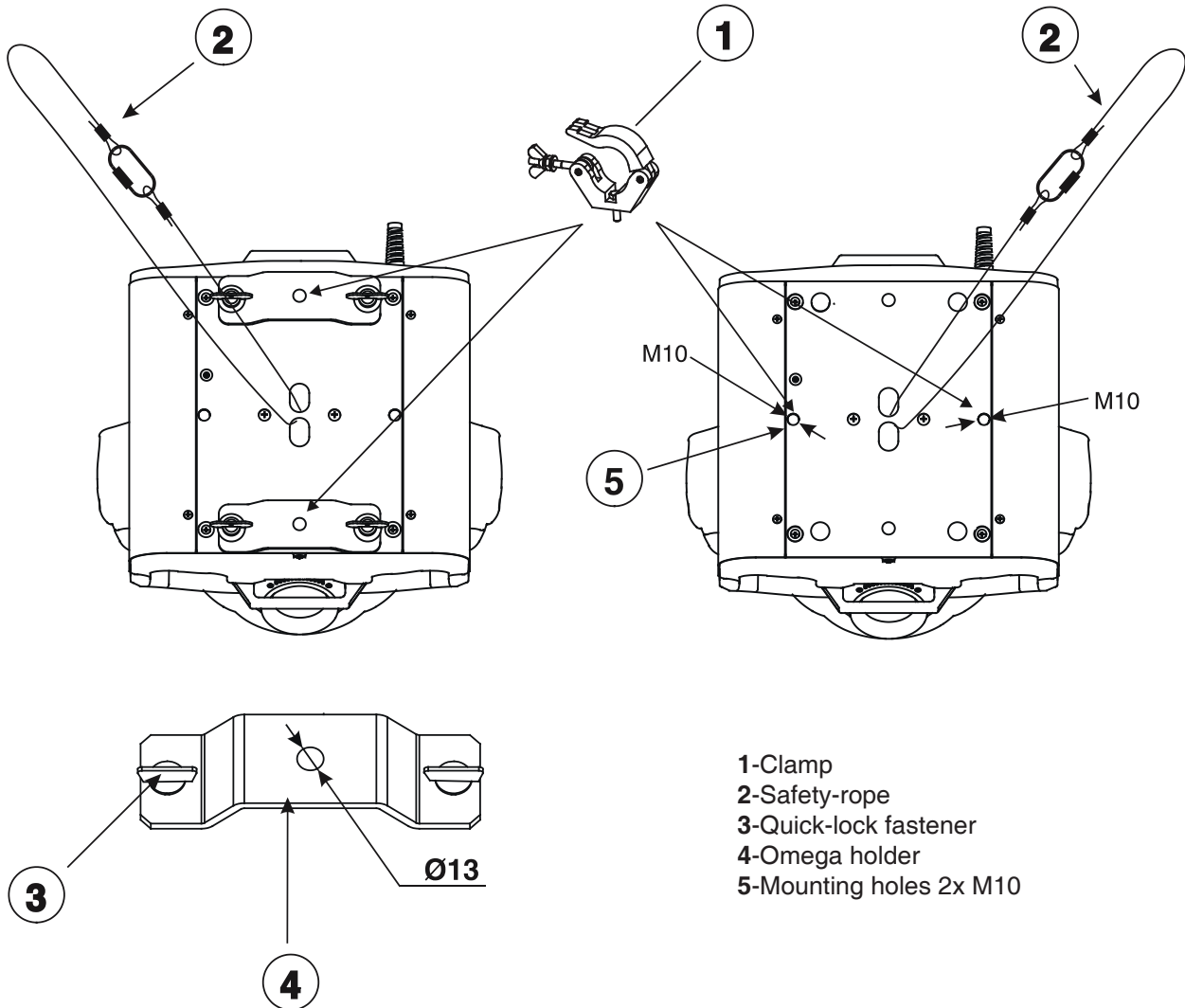
The projector can be placed directly on the stage floor or rigged in any orientation on a truss without altering its operation characteristics .

You can fix the fixture on a truss via 2 Omega holders or using the mounting plate(it is not the standard part of delivery) or screw the clamps directly to the 2 holes (5) in the base.

For overhead use, always install a safety-rope that can hold at least 10 times the weight of the fixture. You must only use safety-ropes with screw-on carabines. Pull the safety-rope through the two apertures on the bottom of the base and over the trussing system etc. Insert the end in the carabine and tighten the fixation screw.

Fixation via the omega holders

1. Bolt each clamp (1) to the omega holder (4) with M12 bolt and lock nut through the hole in the holder.
2. Fasten the omega holders on the bottom of the base by inserting both quick-lock fasteners (3) into the holes of the base and tighten fully clockwise.
3. Fasten the safety-rope (2) through the two apertures on the bottom of the base and over the trussing system.

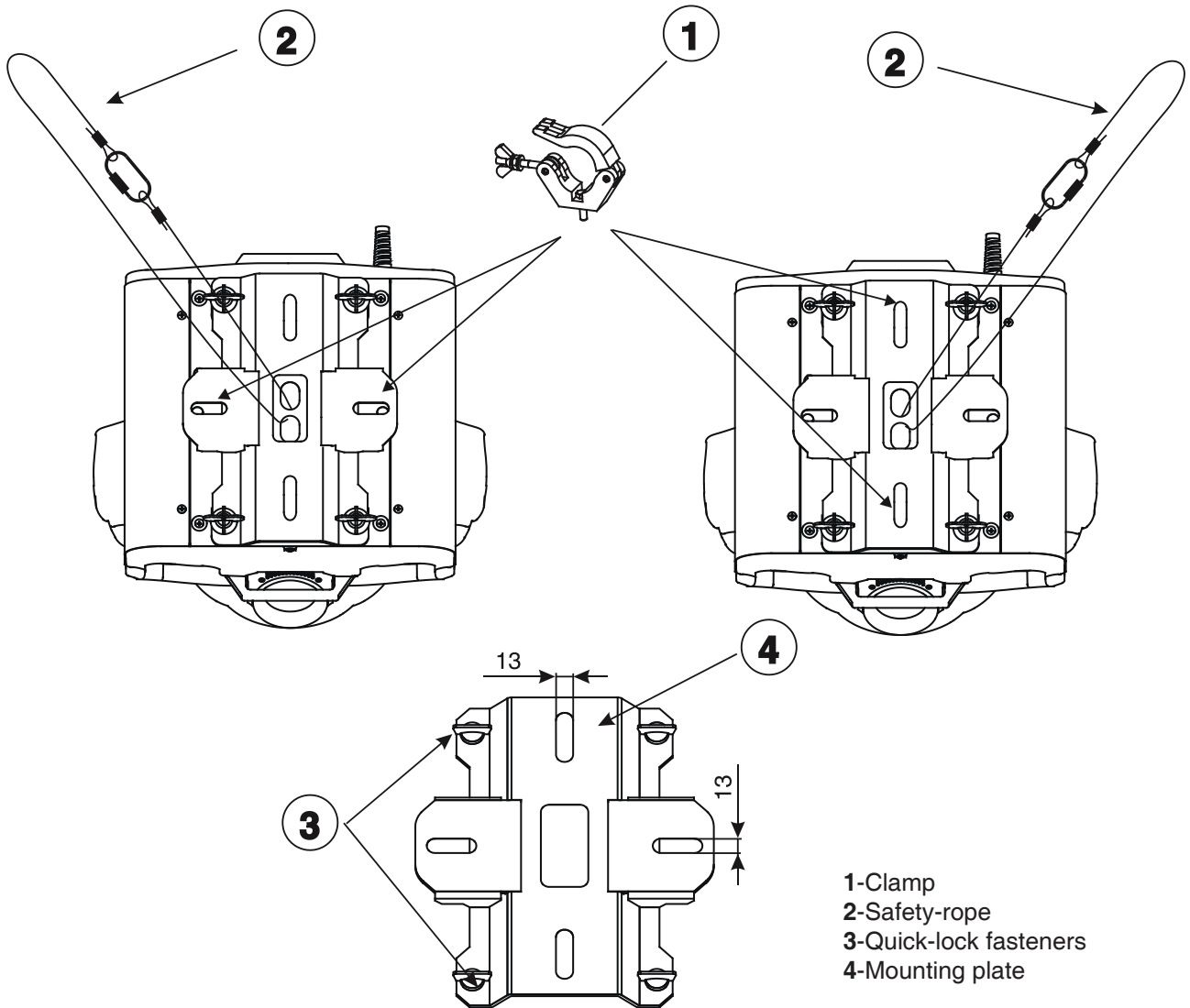


**When installing fixtures side-by-side,
avoid illuminating one fixture with another!**

DANGER TO LIFE!
Before taking into operation for the first time, the installation has to be approved by an expert!

Fixation via a mounting plate

1. Screw 2 clamps (1) to the mounting plate (4) with M12 bolts and lock nuts through the holes in the mounting plate (4).
2. Insert the 4 quick-lock fasteners (3) into the holes on the bottom of the base and tighten fully clockwise.
3. Fasten the safety-rope (2) through the two apertures on the bottom of the base and over the trussing system.



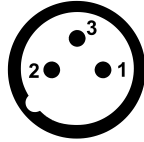
4.8 DMX-512 connection/connection between fixtures

The fixture is equipped with 3-pin XLR sockets for DMX input and output. Only use a shielded twisted-pair cable designed for RS-485 and 3-pin XLR-plugs and connectors in order to connect the controller with the fixture or one fixture with another.

DMX - output

XLR mounting-sockets (rear view):

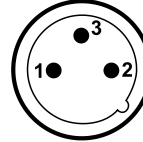
- 1 - Ground
- 2 - Signal (-)
- 3 - Signal (+)



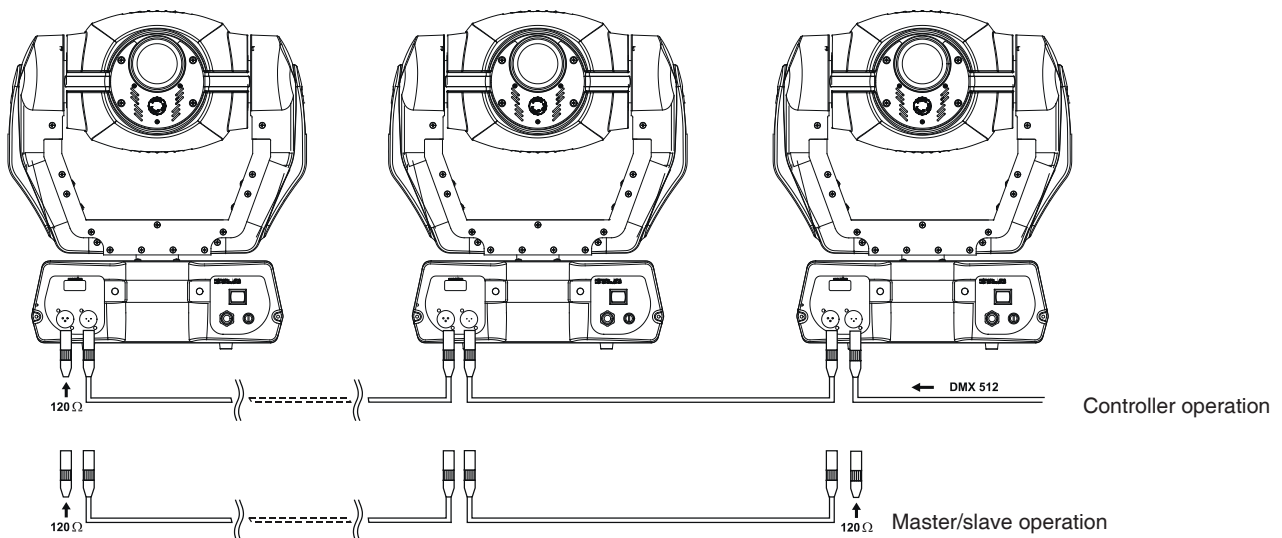
DMX-input

XLR mounting-plugs (rear view):

- 1 - Ground
- 2 - Signal (-)
- 3 - Signal (+)



If you are using the standard DMX controllers, you can connect the DMX output of the controller directly with the DMX input of the first fixture in the DMX-chain. If you wish to connect DMX-controllers with other XLR-outputs, you need to use adapter-cables.



Building a serial DMX-chain:

Connect the DMX-output of the first fixture in the DMX-chain with the DMX-input of the next fixture. Always connect one output with the input of the next fixture until all fixtures are connected.

Caution: At the last fixture, the DMX-cable has to be terminated with a terminator. Solder a 120 Ω resistor between Signal (-) and Signal (+) into a 3-pin XLR-plug and plug it in the DMX-output of the last fixture.

Building a master/slave-chain:

Connect the DMX-output of the master fixture in the data-chain with the DMX-input of the first slave. Always connect output with the input of the next slave until all slaves are connected (up to 9 fixtures).

Caution: It's necessary to insert the XLR termination plug (with 120 Ohm) into the input of the master fixture and into the output of the last slave fixture in the link in order to ensure proper transmission on the data link.

5.ClubSpot 250 - DMX Protocol,version 1.0

Channel 16 bit	Channel 8 bit	Value	Function	Type of control
1	1	0-255	Pan Coarse control of pan movement	proportional
2	-	0-255	Pan Fine Fine control of pan movement	proportional
3	2	0-255	Tilt Coarse control of tilt movement	proportional
4	-	0-255	Tilt fine Fine control of tilt movement	proportional
5	3	0	Speed of Pan/Tilt movement Max. speed (tracking mode)	step
		1-249	From max.speed to min.speed (vector mode)	proportional
		250-252	Max.speed (tracking mode),black-out while colour/gobo changes	step
		253-255	Max.speed (vector mode),black-out while pan/tilt moving or colour/gobo changes	step
6	4	0-127	Lamp On/Off,reset,speed control of fans From max.speed of fans to min. speed of fans	proportional
		128-139	Lamp On,reset	step
		140-229	No function	step
		230-239	Lamp Off after 3 sec.	step
		240-255	No function	step
7	5	0	Colours <i>Continual positioning</i> Open/White	proportional
		10	Turquoise	proportional
		21	Deep red	proportional
		32	Cyan	proportional
		42	UV filter	proportional
		53	Magenta	proportional
		64	Light blue	proportional
		74	Yellow	proportional
		85	Green	proportional
		96	Pink	proportional
		106	Blue	proportional
		117	Red	proportional
		128-189	Forwards rainbow effect from fast to slow	proportional
190-193	No rotation	step		
194-255	Backwards rainbow effect from slow to fast	proportional		
8	6	0-7	Gobo wheel <i>Gobo selection</i> Open	step
		8-19	Gobo 1	step
		20-31	Gobo 2	step
		32-43	Gobo 3	step
		44-55	Gobo 4	step
		56-67	Gobo 5	step
		68-79	Gobo 6	step
		80-91	Gobo 7	step
		92-103	Gobo 8	step
		104-115	Gobo 9	step
		116-127	Gobo 10	step
			<i>Gobo shake ,from slow to fast</i>	step
		128-135	Gobo 1	proportional
		136-143	Gobo 2	proportional
144-151	Gobo 3	proportional		

8	6	152-159 160-167 168-175 176-183 184-191 192-199 200-207 208-255	Gobo 4 Gobo 5 Gobo 6 Gobo 7 Gobo 8 Gobo 9 Gobo 10 Forward gobo wheel rotation from slow to fast	proportional proportional proportional proportional proportional proportional proportional
9	7	0-31 32-63 64-95 96-127 128-143 144-159 160-191 192-223 224-255	Shutter,Strobe Shutter closed Shutter open Strobe-effect from slow to fast Shutter open Closing pulses from slow to fast Opening pulses from fast to slow Shutter open Random strobe effects from slow to fast Shutter open	step step proportional step proportional proportional step proportional step
10	8	0-255	Dimmer intensity Dimmer from closed to 100% light output	proportional

6. Controller operation

The fixtures are individually addressed on a data link and connected to the controller. The fixtures respond to the DMX signal from the controller.

6.1 DMX addressing

The control panel on the front panel of the fixture allows you to assign the DMX fixture address, which is defined as the first channel from which the ClubSpot 250 will respond to the controller.

If you set, for example, the address to channel 11, the ClubSpot 250 will use the channel 11 to 20 for control (if 16-bit mode is selected).

Please, be sure that you don't have any overlapping channels in order to control each ClubSpot 250 correctly and independently from any other fixture on the DMX data link.

If two, three or more ClubSpot 250 are addressed similarly, they will work similarly.

For address setting, please refer to the instructions under "Addressing"(menu "A001").

Controlling:

After having addressed all ClubSpot 250, you may now start operating these via your lighting controller.

Note:After switching on, the ClubSpot 250 will automatically detect whether DMX 512 data is received or not. If there is no data received at the DMX-input, the display will start to flash "A001" with actually set address.

This situation can occur if:

- the 3 PIN XLR plug (cable with DMX signal from controller) is not connected with the input of the ClubSpot 250
- the controller is switched off or defective, the cable or connector is defective or the signal wires are swap in the input connector.

Note:It's necessary to insert the XLR termination plug (with 120 Ohm) to the last fixture in the link in order to ensure proper transmission on the DMX data link.

6.2 Remotely controllable functions

Lamp

The ClubSpot 250 is to be operated with a Sylvania BA 250/2 lamp.

A relay inside of the ClubSpot 250 allows you to switch on and off the lamp via the control panel or via your DMX-controller without affecting the rest of the lighting.

To switch On/Off the lamp, please refer to "Lamp On/Off " (menu **LAMP**).

Note:It is also important to note, that the discharge lamp is cold restrike types, that means, that they have to be cold before re-striking. For this reason, you have to wait 5 minutes (max. speed of fan must be adjusted) after having switched Off the lamp before you can switch it back On again. If you try to switch On the lamp within 5 minutes after having switched it Off, the ClubSpot 250 will store this information and automatically ignite the lamp when the 5 minutes period has expired. The message "**HEAT**" will appear on the control panel display of the ClubSpot 250. If the ignition of the lamp is seven times unsuccessful, on the display will appear "**LA.Er**", meaning that the lamp could be damaged or even missed, or there could be a failure on the ignitor or ballast.

Colour wheel

This wheel contains 11 dichroic filters and an open.

Gobo wheel

The static gobo wheel includes 8 gobos, 2 replaceable gobos + open.

Dimmer/Shutter/Strobe

Smooth 0 - 100 % dimming is provided by the combined mechanical dimmer/shutter unit. This unit may also be used for strobe effect.

7. Stand - alone operation

The fixtures on a data link are not connected to the controller but can execute pre-set programs which can be different for every fixture. To set the program to be played, see the "Stand-alone setting" (menu "St.AL.").

"Stand-alone operation" can be applied to the single fixture (the fixture may be set to the master /slave mode or controller mode) or to multiple fixtures operating synchronously.

Synchronous operation of multiple fixtures requires that they must be connected on a data link and one of them is set as a master (master mode) and the rest as the slaves (slave mode). The slaves are assigned to SLA1-SLA9 and on the certain slave address can be connected only one fixture. To set the fixture as the master or slave , see the "Addressing" (menu "A001").

If the master fixture runs a reset, switches On/Off the lamp or plays test(program) ,all slaves will execute these acts too (e.g. if the master fixture has switched the lamp off, no slaves can switch the lamp on)!

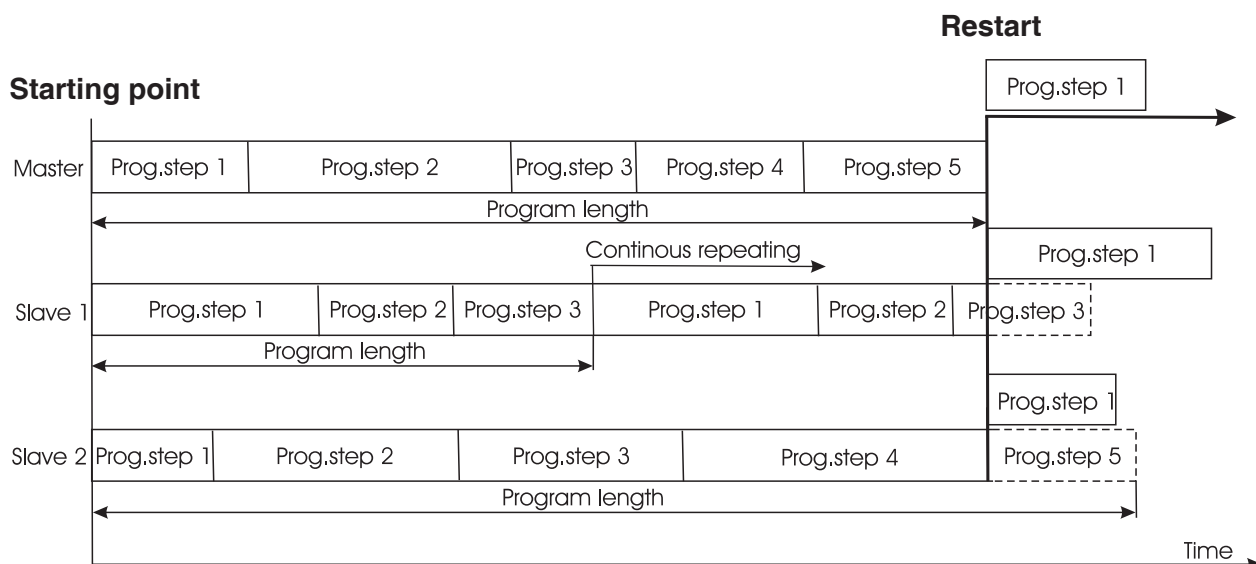
The master fixture starts simultaneous program start in the other slave fixtures. All fixtures have a definite, synchronized starting point when playing back their programs. The number of running program is the same in all slaves and depends on the master's choice (menu "St.AL."). Every fixture runs its program repeatedly , starting the program step No.1 when requested by the master .

For example:

If the slave fixture has a shorter program length, it will continuously repeat its program until the master fixture finishes its own program and restarts its program running (slave 1- prog.step 3 will not be finished).

If the slave fixture has a longer program length, it will restart at prog. step 1 before it completes all its prog.steps

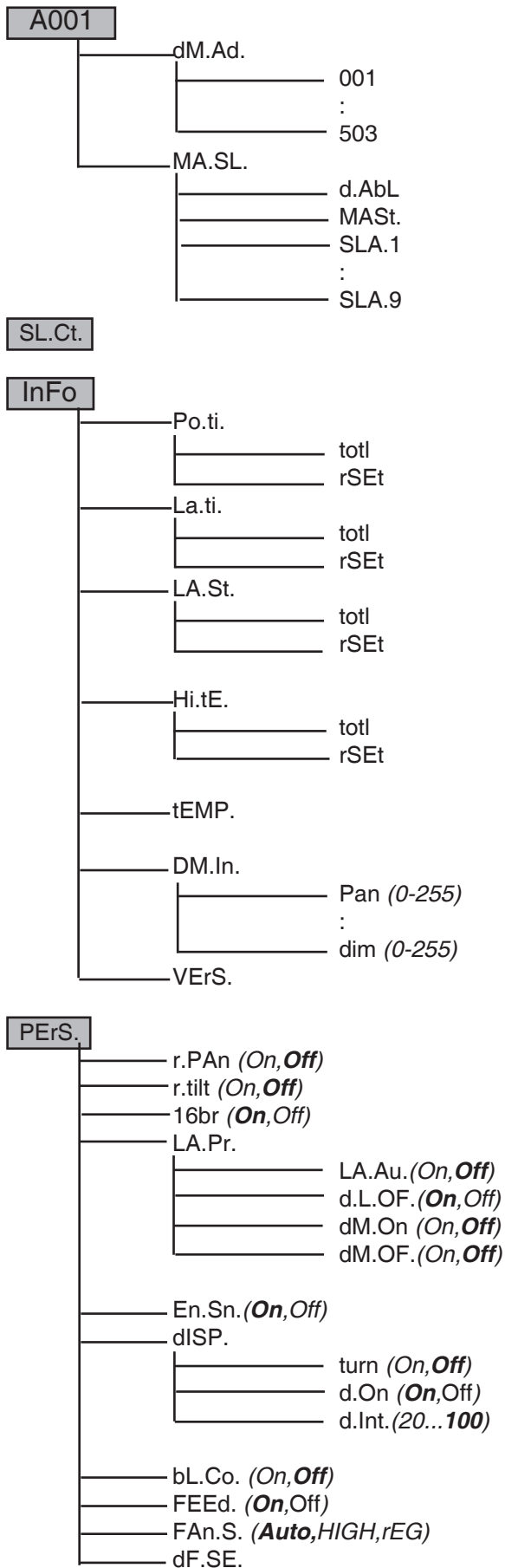
(slave 2 - prog.step 5 will not be played)- see the picture bellow.



Note: Disconnect the fixtures from the DMX controller before master/slave operating , otherwise data collisions can occur and the fixtures will not work properly!

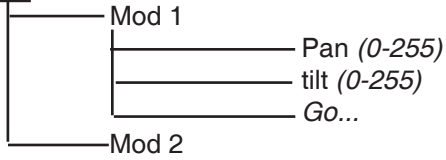
8.Control menu map

Default settings=**Bold print**

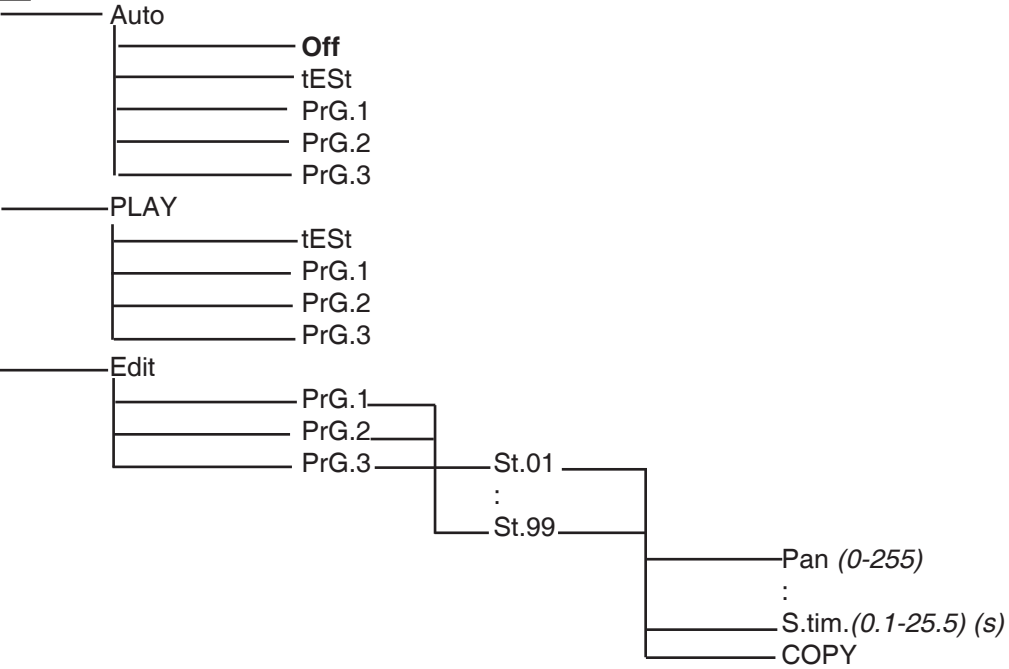


LAMP (On, Off)

tEst

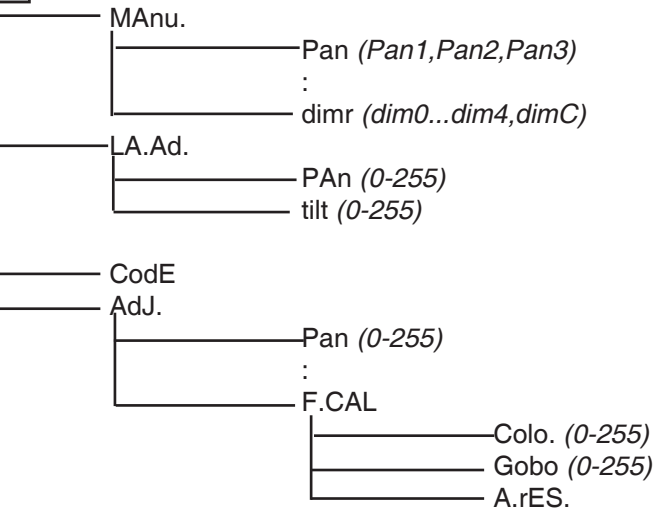


St.AL.



rESE.

SPEC.



9. Control menu

The control panel situated on the front panel of the base offers several features. You can simply set the DMX address, read the number of the lamp or unit hours, switch On and Off the lamp, run test, make a reset and also use many functions for setting fixture behaviour.

Control elements on the control board:

[MODE] button-leaves menu without saving changes.

[ENTER] button- enters menu, confirms adjusted values and leaves menu.

[UP] button and [DOWN] button- moves between menu items on the the same level, sets values.

After switching the fixture on, the display shows the initial screen:



Use [UP],[DOWN] to browse through the menu. To select a function or submenu, press [ENTER].

9.1 Fixture Address



Use this menu to set the DMX address of the fixture or set the fixture as a Master (Slave).

dM.Ad. --- **DMX addressing.** Select this submenu to set DMX start address.

MA.SL. --- **Master/slave addressing.** Select this submenu to set the fixture as a Master or Slave (Slave1-Slave 9). Option "d.AbL" deactivates master/slave setting.

9.2 Slave control



This function allows you to control the slaves from the master's control panel in a master/slave operation. Select this function from the main menu and press [ENTER]. Browse the list of all connected slaves ("SL.C.1" - "SL.C.9") by pressing [UP] or [DOWN]. Select the desired slave and press [ENTER]-button. The matching slave control panel is available from the master control panel.

Note: This function is available from the master fixture only.

9.3 Fixture informations



Use this menu to read an useful information about the fixture.

Po.ti. --- **Power on time.** Select this submenu to read the number of operation hours.

totL --- The function shows the total number of the operation hours since the ClubSpot 250 has been fabricated.

rSEt --- The function shows the number of the operation hours that the ClubSpot 250 has been powered on since the counter was last reset. In order to reset this counter to 0 you have to hold [UP] and [DOWN] and press the [ENTER].

La.ti. --- **Lamp on time.** Select this submenu to read the number of the operation hours with the lamp on.

totL --- The function shows the total number of the operation hours with the lamp on since the ClubSpot 250 has been fabricated.

rSEt --- The function shows the number of the operation hours with the lamp on that the ClubSpot 250 has been powered on since the counter was last reset. In order to reset this counter to 0 you have to hold [UP] and [DOWN] and press the [ENTER].

LA.St. --- **Lamp strikes.** Select this submenu to read the total number of the lamp strikes.

totL --- The function shows the total number of the lamp strikes since the ClubSpot 250 has been fabricated.

rSEt --- The function shows the number of the lamp strikes since the counter was last reset. In order to reset this counter to 0 you have to hold [UP] and [DOWN] and press [ENTER].

Hi.tE --- **Max.fixture head temperature.** Select this submenu to read the max. fixture head temperatures (°C).

totL - The function shows the max. temperature of the head inside since the ClubSpot 250 has been fabricated.

rSEt - The function shows the maximum temperature of the head inside since the counter was last reset. In order to reset the counter to 0 you have to hold [UP] and [DOWN] and press the [ENTER].

TEMP --- **Current fixture head temperature.** Select this submenu to read the current fixture head temperature (°C). Temperatures below 68°C are not critical. 68° C and more lead to the lamp being switched off. Please note that the outside temperature should not exceed 45° C.

DM.In. --- **Readout of DMX values.** Select this function to read DMX values (0-255) of each channel received by the fixture.

PAn	a coarse pan movement	Colo	a colour wheel
F.PAn	a fine pan movement	Gobo	a static gobo wheel
tilt	a coarse tilt movement	Stro.	a shutter, strobe
F.tilt	a fine tilt movement	dimr	a dimmer
SpEd	a pan/tilt speed		
Func.	a special function		

VErS. --- **Software version.** Select this function to read the software version of the display module.

9.4 Personality



Use this menu to modify ClubSpot 250 operating behavior.

r.PAn --- **Pan reverse.** Select this function to invert the pan movement.

r.tilt --- **Tilt reverse.** Select this function to invert the tilt movement.

16b.r. --- **16bit resolution.** If this function is on, the fixture uses 16 bit resolution for pan/tilt movement (10 DMX control channels).

LA.Pr. --- **Lamp presetting.** Select this menu to change the lamp "behaviour".

LA.Au. --- Select this function to turn the lamp on automatically after switching the fixture on.

d.L.OF. --- Select this function to switch off the lamp via DMX.

dM.On --- This function allows you to strike the lamp automatically after 26 seconds if DMX signal is present on the data link. If the ignition is unsuccessful (e.g. lamp is too hot), the fixture will try to ignite the lamp after next 26 s. This process will repeat until the lamp lights.

dM.OF. --- This function allows you to switch Off the lamp automatically after 2 minutes if DMX signal is missing on the data link.

En.Sn. --- Switching on/of the lamp light sensor.Select this function to switch the lamp light sensor on or off.The option"On" is for the standard operation.
Important: The option"Off" is for "emergency operation" only if the lamp light sensor is defective and you will wait for a service intervention! If the lamp light sensor is switched off and at switching the lamp on the electronics will still try to ignite the lamp until it shines (even when the lamp is damaged or absent), on this account some electronics parts could be damaged!

DiSP. --- Display adjusting.This function allows you to change the display settings.

turn --- Select this function to turn the display by 180°.

d.On --- This function allows you to keep the display on or to turn off automatically 2 minutes after last pressing any button on the control panel.

d.Int. --- Select this function to adjust the display intensity (20-min.,100-max.).

bL.Co. --- Blackout during movement correction.Select this function to enable the blackout during the head movement correction (if the moving head lost its right pan/tilt position for a short moment).

FEEd --- Pan/Tilt feedback.This function allows to return the moving head to the required pan/tilt position after changing the position by external force (e.g.by stroke).

Be careful, the Pan/Tilt Feedback OFF is not the standard operation and the head of the fixture can be damaged!

Note: If the feedback was switched off ,the pan/tilt-position is changed by an external force and the feedback is switched on again,the moving head might not to be synchronized with the DMX signal.You have to make a reset in order to synchronize the moving head with the DMX signal.

Fan.S. --- Fan speed operating modes.By using this function you can choose 3 types of the fans speed operating modes.

Auto --- The fan automatically raises its speed in order to control inside temperature of the head.

HIGH --- The cooling fan works on max. speed (max. cooling).

reg --- This mode is similar to "Auto" but the initial level of the fan speed can be adjusted by DMX value on the channel 6 (see DMX protocol).

dF.SE. --- Default Settings .Select this option to reset all fixture personalities to the default values.

9.5 Lamp On/Off



Use this option in order to switch on/off the lamp.It is also important to note, that the lamp is cold restrike type, that means, that it has to be cold before striking.

9.6 Test sequences



Use this menu to to run a special demo-test sequences without an external controller, which will show you some possibilities of using ClubSpot 250.

Mod. 1 --- Mode 1. This mode is suitable for projections on the wall, ceiling or ground without any head movement.

Mod. 2 --- Mode 2.This mode uses all ClubSpot 250 functions including pan/tilt movement and therefore is good for a complete introduction of the fixture.

9.7 Stand-alone setting



Use this menu to set options for stand-alone mode as a selection of the playing program, programming and modifying current programs.

Auto --- **Presetting playback.** This function allows you to select the program which will be played in the stand-alone mode after switching the fixture on. Selected program will be played continuously in a loop.

d.Abl --- The option disables "Auto" function.

tESt --- The option will start built-in test program.

PrG. 1 --- The option will start created program No. 1

PrG. 2 --- The option will start created program No. 2

PrG. 3 --- The option will start created program No. 3

Note: If the fixture operates in the controller mode (DMX controller is connected) and any program from this menu is selected , in this case the fixture will not respond to the DMX controller after switching on and will play selected program.

PLAY --- **Playing program.** Select this menu to run a built-in program or the 3 freely-programmable programs in a loop.

tESt --- The option starts built-in test program.

PrG.1 --- The option starts created program No. 1

PrG.2 --- The option starts created program No. 2

PrG. 3 --- The option starts created program No. 3

Select the program you wish and press [ENTER]. The selected program starts running. By Pressing [ENTER] again is possible to pause the program running.

Edit --- **Editing program.** Select this menu to edit or create the program. The ClubSpot 250 has one built-in program and the 3 free programs, each up to 99 steps. Each program step has a step time. Step time - the time, during which effects last in the current step.

If the fixture is set as a master, then you may edit any program in the slaves. You can't edit programs on the slave fixtures from their control panels if the master fixture is switched on and connected to the slaves (editing is possible by the master control panel only).

Procedure:

1. Press [UP] or [DOWN] to select the program you want to edit ("PrG.1" - "PrG.3") and press [ENTER].
2. Press [UP] or [DOWN] to select the desired fixture ("MASt." - "SLA.9") and press [ENTER]-button.
3. Press [UP] or [DOWN] to select the desired program step ("St.01" - "St.99") and press [ENTER]-button.
4. Press [UP] or [DOWN] to select the desired item and press [ENTER]-button. Now you can edit by [UP] or [DOWN] buttons the DMX value (0-255) for selected item:

P.End. - a total number of the program steps (value 1-99). **This value you must set before start programming** (e.g. if you want to create program with the 10 steps, set P.End=10).

PAn a coarse pan movement

Func. a special functions

F.PAn a fine pan movement

Colo a colour wheel

tilt a coarse tilt movement

Gobo. a static gobo wheel

F.tilt a fine tilt movement

Stro. a shutter, strobe

SpEd a pan/tilt speed

dimr a dimmer

Func. a special functions

S.tim. a step time, value 0, 1-25,5 seconds

COPY. - copying the current prog. step to the next prog. step. If the last prog. step is copied to the next prog. step, parameter "P.End" is increased about one by itself (except step 99).

5. Press [ENTER]-button to confirm adjusted value.

6. Press [MODE]-button, select next prog. step and repeat this procedure (steps 4 - 6).

9.8 Reset functions



This option enables the ClubSpot 250 to index all effects (functions) and return to their standard positions.

9.9 Special functions



Use this menu for special services like adjusting lamp or adjusting effects.

Manu. --- **Manual control of the effects.** Select this menu to call up presetted positions of the channel effects.

LA.Ad. --- **Lamp adjustment.** This function can be used when you make the fine adjustment of the lamp. If you select this function, all effects will be canceled, shutter will be opened and the dimmer intensity will be set onto 100%. By using the options "**PAn, tilt,**" you can focus the light on a flat surface (wall) and perform the fine lamp adjustment.

Code --- **Code.** This function contains identification hexadecimal code (0000-FFFF) for the fixture, which is used for the master/slave operation.

Adj. --- **Effect adjustment.** By this function you can calibrate and adjust the effects to their standard/right positions. Disconnect the DMX controller from the fixture and select "**Adj.**" menu. The display shows step by step effects by which you can adjust the fixture to the required position before the function calibration (DMX controller must be disconnected). When the positioning is finished, select "**F.CAL.**" and press [ENTER]:

1. Calibration via the control board

Disconnect DMX controller from the fixture. Press [ENTER] and use [UP] and [DOWN] in order to display the following items: "**Colo.,Gobo**" for very smooth function calibration. Select one of them, press [ENTER] and use the [UP] and [DOWN] in order to adjust their right value from 0 to 255. Then press [ENTER] to confirm or [MODE] to cancel and return to the menu. This can be repeated for each calibration parameter if it is required. When the calibration is finished, it is necessary to use the "**A.rES**" function in order to write the calibration values to the memory (EPROM) and to make a reset in order to check the newly adjusted positions of the colour and gobo wheels. When the reset of the fixture is finished, the display will show the "**F.CAL**" message. Press [ENTER] to repeat the calibration or [MODE] to return to the "**Adj.**" menu.

2. Calibration via the external controller

Connect the DMX controller to the fixture, press [ENTER] and the [UP] and [DOWN] buttons in order to display the following items: "**Colo.,Gobo.**". Select one of them and press [ENTER].

Now you can calibrate this effect by your controller. The DMX calibration protocol is described in the table mentioned below.

DMX calibration protocol:

Effect	pan/tilt resolution=16bit (16b.r.=On)
<i>Colour wheel(smooth microstep movement)</i>	<i>channel 1</i>
<i>Gobo wheel (smooth microstep movement)</i>	<i>channel 2</i>
No function	channel 3
No function	channel 4
No function	channel 5
No function	channel 6
Standard DMX protocol:	
Colour wheel	channel 7
Gobo wheel	channel 8
Shutter	channel 9
Dimmer	channel 10

After having calibrated required effects, press [ENTER] to confirm (or [MODE] to cancel and return to the menu without reset by the "**A.rES.**" function) and use the "**A.rES.**" function in order to write the calibration values to the memory (EEPROM) and to make a reset in order to check the new adjusted positions of the colour and gobo wheels.

10. Error and information messages

HEAt

This message appears if you try to switch on the lamp within 5 minutes after having switched it off (the lamp is too hot). The message will appear on the display if the lamp doesn't ignite within 28 seconds. The ClubSpot 250 will store this information and automatically ignite the lamp when the 5 minutes period has expired.

Caution: The message is disabled if the lamp light sensor (function "En.Sn.") is switched Off (only if the lamp was turned Off and On within 5 minutes, the message "HEAt" will appear).

LA.Er.

The ignition of the lamp is seven times unsuccessful (the "HEAt" message appeared six times before), and the display shows "LA.Er", meaning that the lamp could be damaged or even missed, the fixture is overheating (this can occur if the ambient temperature is 40° C or more) or there could be a failure on the ignitor or ballast.

Please place or replace the lamp, check the ambient temperature or contact your dealer if the situation was not caused by the lamp.

Caution: The message is disabled if the lamp light sensor (function "En.Sn.") is switched Off.

Mb.Er.

This message informs you that the main PCB does not communicate correctly with the Control Board.

Co.Er. (color wheel error)

This message will appear after the reset of the fixture if the magnetic-indexing circuit malfunctions (sensor failed or magnet missing) or the stepping-motor is defective (or its driver circuit on the main PCB). The color-wheel is not located in the default position after the reset.

Go.Er. (static gobo wheel error)

This message will appear after the reset of the fixture if the magnetic-indexing circuit malfunctions (sensor failed or magnet missing) or the stepping-motor is defective (or its driver circuit on the main PCB). The static gobo wheel is not located in the default position after the reset.

Ft.Er.

This error message informs you that the fixture was overheating (occured if the ambient temperature is 40° C or more) and that the relay switched off the lamp.

Fr.Er.

This message will appear if the frequency of the main is not standard 50 or 60 Hz. This message can appear as a result of the interference during the lamp starting (if the lamp or igniter is old) or as a result of the interference by neighbouring devices. **In these cases the message does not affect the fixture operating!**

Sn.Er.

This message appears if the lamp light sensor is failed.

PoEr

This message will appear if the fixture was shortly disconnect from the main.

PA.Er. (Pan-yoke movement error)

This message will appear after the reset of the fixture if the yoke's magnetic-indexing circuits malfunction (sensors failed or magnet missing) or the stepping motor is defective. (Or its driving IC on the main PCB). The yoke is not located in the default position after the reset.

ti.Er. (TILT-head movement error)

This message will appear after the reset of the fixture if the head's magnetic-indexing circuit malfunctions (sensor failed or magnet missing) or the stepping motor is defective. (Or its driving IC on the main PCB). The head is not located in the default position after the reset.

MA.Er.(Master error)

The message informs you that the fixture was addressed as a master and DMX signal is connected to its input. Disconnect the DMX controller from fixture's input and address the fixture as the master again.

11. Technical specifications

Power supply:

EU-model: Voltage:.....208/230/240V AC, 50/60Hz ~
Fuse:.....T 3.15@230V

US-model: Voltage:.....100/120/208/230/240V AC, 50/60Hz ~
Fuse:.....T 6.3A@120V

Power consumption:.....420 VA

Lamp:

Sylvania BA 250/2 SE

Optical System:

- High luminous-efficiency parabolic mirror and double condenser system
- Standard 15° focused beam angle
- Optional 12° and 18° lens
- All lenses are anti-reflection coated

Colour wheel:

- 11 dichroic filters + open
- Colour wheel continuous rotation in both directions (rainbow effect)

Static gobo wheel:

- 8 metal gobos ,2 replaceable dichroic gobos plus an open position
- Metal gobos:outside diameter=26.9mm,image diameter=22.5mm,stainless steel, thickness=0.15mm
- Multicolor dichroic gobo:outside diameter=26.8mm,thickness=1.1mm,high temperature borosilicate or better glass

Strobe:

- Strobe effect with variable speed (max.10 flashes per second)

Dimmer:

- Smooth dimmer from 0 - 100 %

Focus:

- Manual focus

Motors:

- 6 high quality stepping-motors controlled by microprocessors

Electronics:

- Addressing,special functions setting,effects calibration via control panel with 4-digit LED display
- Readout fixture and lamp usage,receiving DMX values,temperature, etc
- Built-in analyzer for easy fault finding,error messages
- Remotely switching of the lamp
- Built-in demo sequences
- Black-out while head moving or gobo/color changing
- Silent fans cooling,
- Self-resettable thermo-fuse
- Master/slave operation
- Digital serial input DMX-512
- 8 or 10 control DMX channels

Pan/Tilt

- Pan movement range 530°
- Tilt movement range 280°
- 8 or 16 bit movement resolution
- Automatic Pan/Tilt position correction
- Remotely controllable speed of pan/tilt movement for easy programming
- Movement control:tracking and vector

Rigging

- Stands directly on the floor
- Mounts horizontally or vertically with 2 Omega brackets
- 2 truss orientation
- Safety chain/cord attachment point

Temperatures

- Maximum ambient temperature : 45° C
- Maximum housing temperature : 80° C

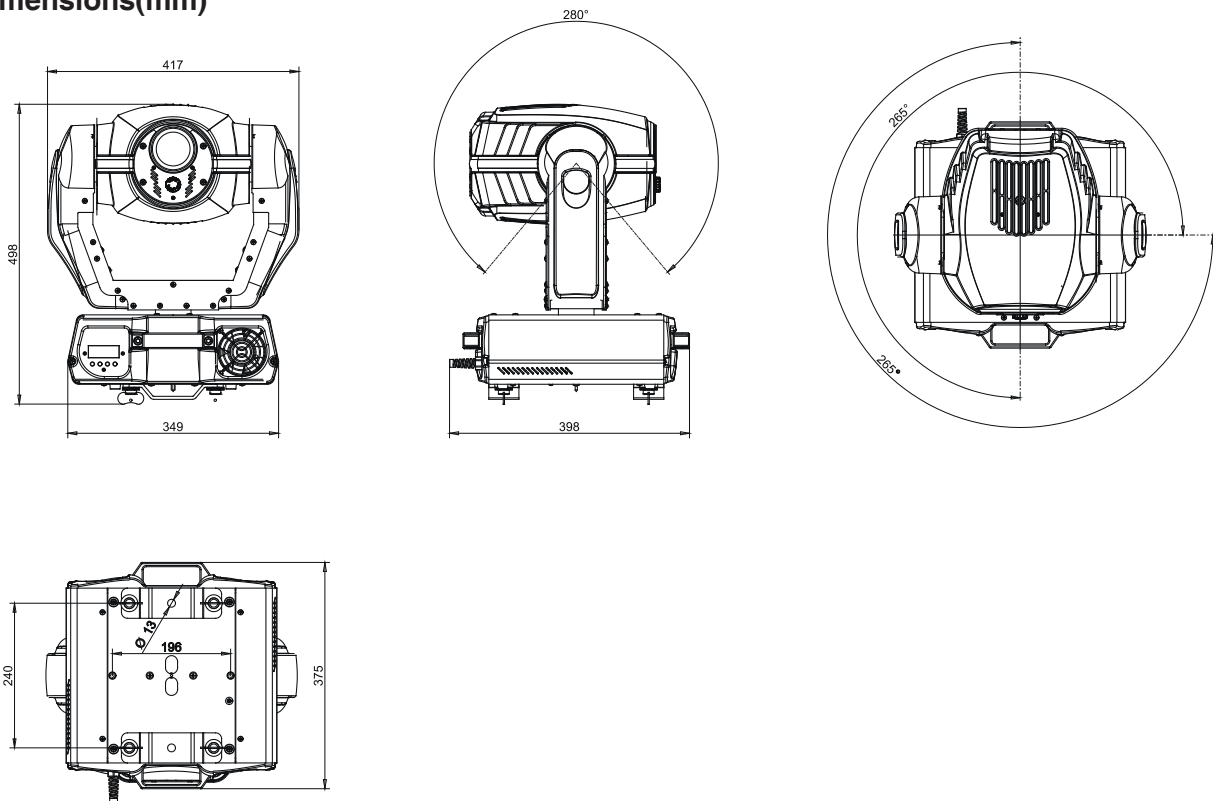
Minimum distances

- Min.distance from flammable surfaces: 0.5m
- Min.distance to lighted object: 1.3m

Weight (net):

- EU version: 20.3 kg
- US version: 24 kg

Dimensions(mm)



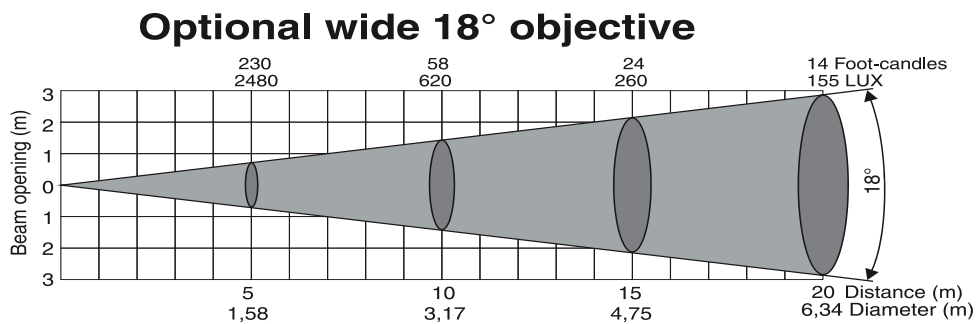
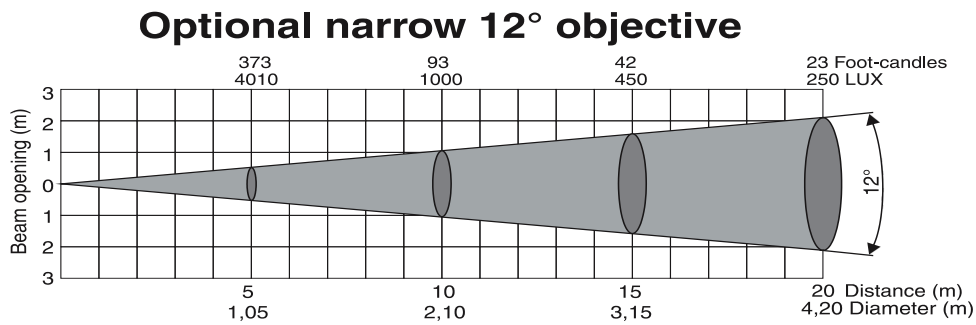
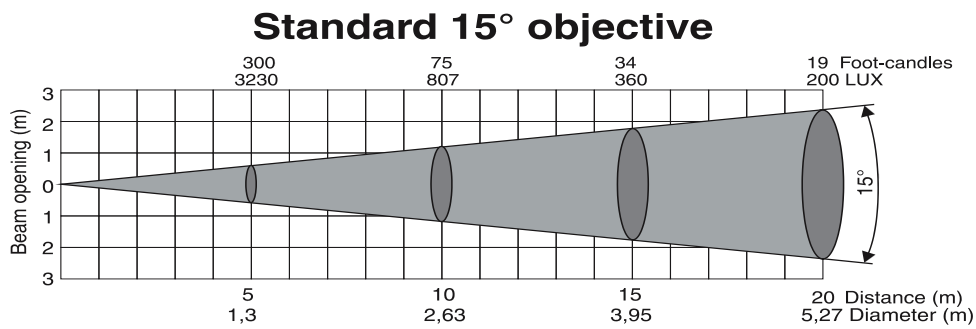
Accessories

- Omega holder (2 pieces).....99010420

Optional accessories:

- Objective12°.....99010201
- Lens-module 18°.....99010200
- Mounting plate.....99010500

Beampath:



12. Maintenance and cleaning

It is absolutely essential that the fixture is kept clean and that dust, dirt and smoke- uid residues must not build up on or within the fixture. Otherwise, the fixture's light-output will be significantly reduced. Regular cleaning will not only ensure the maximum light-output, but will also allow the fixture to function reliably throughout its life. A soft lint-free cloth moistened with any good glass cleaning uid is recommended, under no circumstances should alcohol or solvents be used!

DANGER !
Disconnect from the mains before starting any maintenance work

The front objective lens will require weekly cleaning as smoke- uid tends to building up residues, reducing the light-output very quickly. The cooling-fans should be cleaned monthly.

The gobos may be cleaned with a soft brush. The interior of the fixture should be cleaned at least annually using a vacuum-cleaner or an air-jet.

The dichroic colour-filters, the gobo-wheel and the internal lenses should be cleaned monthly.

There are no serviceable parts inside the device except for the lamp and the fuse. Please refer to the instructions under "Fitting/Exchanging the lamp".

Maintenance and service operations are only to be carried out by authorized dealers.

Replacing the fuse

If the lamp burns out, the fine-wire fuse of the device might fuse, too. Only replace the fuse by a fuse of same type and rating.

Before replacing the fuse, unplug mains lead.

Procedure:

- 1) Unscrew the fuseholder on the rear panel of the base with a fitting screwdriver from the housing (anti- clockwise).
- 2) Remove the old fuse from the fuseholder.
- 3) Install the new fuse in the fuseholder.
- 4) Replace the fuseholder in the housing and fix it.

