



eFun-W
USER'S MANUAL
English



eFun-W is a dedicated miniature web server module featuring a fully integrated 802.11 b/g/n Wi-Fi interface which connects a K-array sound system to the corresponding application run on an Apple iPad.



WARNING



- Make no modification to the system or accessories. Unauthorized alterations may compromise safety, regulatory compliance, and system performance and may void the warranty.
- Operate this product within the temperature range of -4°F to 95°F (-20°C to 35°C) only. Damage caused by use outside of that range may not be covered by the warranty.
- Only install the speaker on a K-array product which supports the eFun connection.
- Do not install the speaker in wet or humid locations without using weather protection.
- Do not allow water or any foreign object to get inside the speaker. Do not put objects containing liquid on, or near, the unit.
- To reduce the risk of overheating the device, avoid exposing it to direct sunlight. Do not install the unit near heat emitting appliances, such as a room heater or stove.
- Never place open flame sources, such as lighted candles, near the device.
- Refer all servicing to qualified service personnel. Servicing is required when the apparatus has been damaged in any way.
- Do not attempt to disassemble the unit. The unit contains no user-serviceable parts. Repairs should be performed only by factory trained service personnel.



K-array declares that this device is in compliance with applicable CE standards and regulations. Before putting the device into operation, please observe the respective country-specific regulations!



WEEE

Please dispose of this product at the end of its operational lifetime by bringing it to your local collection point or recycling center for such equipment.



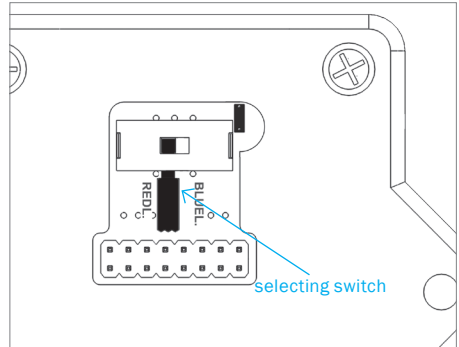
This device complies with Restriction of Hazardous Substances Directive.

Contents

1. Installation	4
2. Initial pairing	5
3. Set a password	5
4. Reset the device to the factory settings	6
5. Service	6
6. Certifications	7

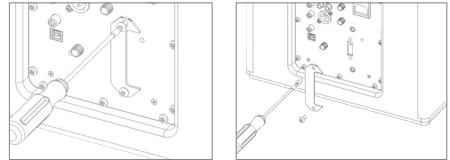
1. INSTALLATION

1. On the connector side of the eFun-W select the sound system you are going to use by switching on BlueLine or Redline.



2. Make sure the K-array system where you are going to plug the eFun-W is off and no computer is connected to its USB socket.

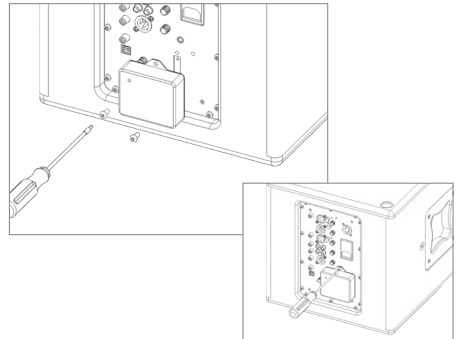
3. Unscrew and remove the protection cover from the eFun connector on your K-array device panel and keep the screws aside.



4. Plug the eFun-W into the eFun connector on your K-array device and carefully check that the fixing holes of the eFun-W match the screw holes on the panel.

Warning: Connecting it in a wrong way, can seriously damage the device.

5. Anchor the eFun-W to the panel using the same screws you have removed from the protection cover before.



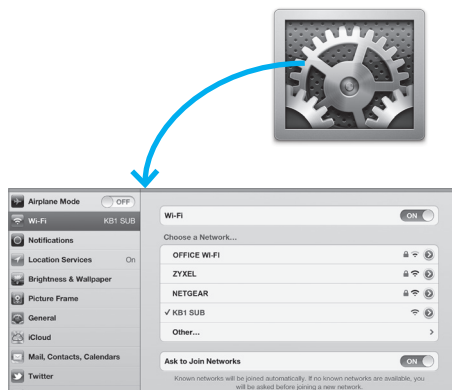
6. Power on the K-array system. The green LED on the eFun-W box will turn on.

7. Now your eFun-W is operating and ready to supply a WiFi access to the audio system management



2. INITIAL PAIRING

1. Download the dedicated Application for your device from the Apple AppStore.
2. Make sure your K-array sound system is powered with the eFun-W accessory plugged in. The green LED on it will show it is operating.
3. The device will create a new WiFi network, named like ID of the Sound System which it is plugged into.
4. Open the Wi-Fi menu in the “Settings” section of your iPad.
5. Connect to your device network. Out of the box the eFun-W does not require any password.
6. Launch the application and enjoy it!



3. SET A PASSWORD

If you need to protect your network, you can set a password following the procedure here below:

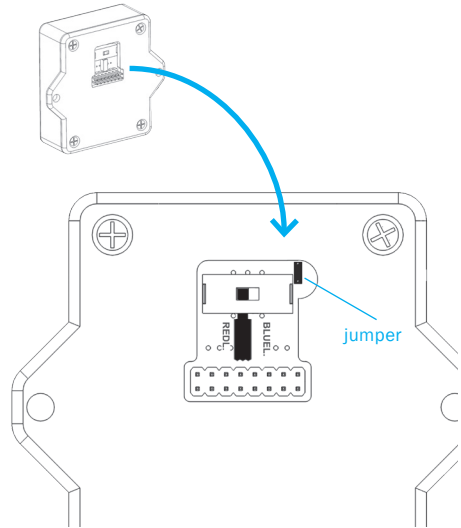
1. Connect your iPad to the eFun-W network.
2. Open Safari or any other browser and type the following IP in the address bar to enter into the eFun-W Administrator Panel: **192.168.1.115**
3. Select “WEP 40 bit” from the drop down list and type in the password you want to use for the next accesses. The password must be 5 characters long, it can include both letters and numbers and is case sensitive.



4. RESET THE DEVICE TO THE FACTORY SETTINGS

To reset the connection password of your eFun-W, follow this procedure:

1. Turn off your sound system and unplug the eFun-W.
2. On the back of the box there is a jumper that must be taken off.
3. Plug the eFun-W on the back panel of the K-array system and switch it on. Now the device is reset to the factory settings.
4. Turn off your sound system and unplug the eFun-W.
5. Put the jumper back where it was.
6. You can connect to your e-Fun-W without any password or you can set again the password as described in the previous paragraph.



5. SERVICE

To obtain service:

- 1) Contact the official K-array distributor in your country. Your local distributor will direct you to the appropriate service center.
- 2) If you are calling for service, please have the serial number(s) of the unit(s) available for reference. Ask for Customer Service, and be prepared to describe the problem clearly and completely.
- 3) If the problem cannot be resolved over the phone, you may be required to send the unit in for service. In this instance, you will be provided with an RA (Return Authorization) number which should be included on all shipping documents and correspondence regarding the repair. Shipping charges are the responsibility of the purchaser.

Any attempt to modify or replace components of the device will invalidate your warranty. Service must be performed by an authorized K-array service center.



Cleaning:

Use only a soft, dry cloth to clean the housing. Do not use any solvents, chemicals, or cleaning solutions containing alcohol, ammonia, or abrasives. Do not use any sprays near the product or allow liquids to spill into any openings.

6. CERTIFICATIONS

The Wi-Fi transceiver module MRF24WBOMB is certified IEEE 802.11 Wi-Fi radio transceiver module.

Certifications

Radio regulation certification for United States (FCC), Canada (IC), Europe (ETSI) and Japan (ARIB)

Wi-Fi® certified (WFA ID: WFA7150)

The contents of this manual are furnished for informational purposes only. K-array srl Unipersonale assumes no responsibility for any errors or inaccuracies that may appear in this manual. Hp Sound Equipment s.r.l. reserves the right to make modifications without prior notice.



K-array s.r.l. unipersonale

Via Paolina Romagnoli - 50037
San Piero a Sieve (Firenze) - Italy
tel. +39 055 8487222 - fax. +39 0558487238
e-mail: info@k-array.com
www.k-array.com

