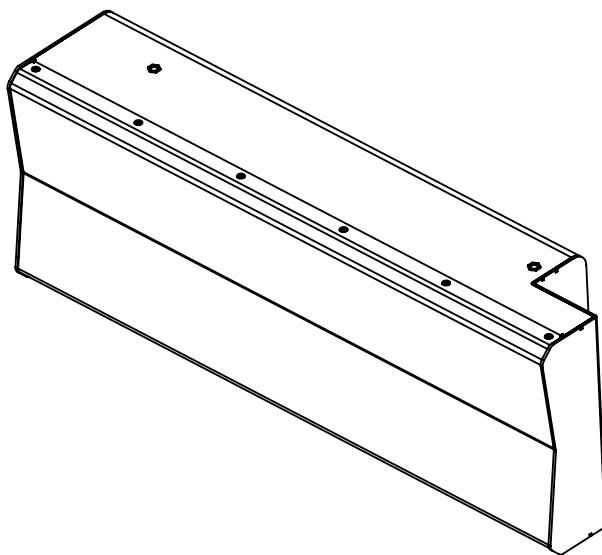




KU36

Ultra slim, high power sub woofer

USER MANUAL - *english version*





CONTENTS

SYMBOLS	5
SAFETY	6
DECLARATION OF CONFORMITY	7
1. INTRODUCTION	9
2. APPLICATIONS	9
3. KEY FEATURES	10
4. UNPACKING	10
5. INCLUDED ACCESSORIES	10
6. PHYSICAL	11
7. WIRING	12
SPECIFICATIONS	14

SYMBOLS



K-array declares that this device is in compliance with the applicable CE standards and regulations. Before putting the device into operation, please observe the respective country specific regulations!



WEEE

Please dispose of this product at the end of its operational lifetime by bringing it to your local collection point or recycling centre for such equipment.



This symbol, wherever it appears, alerts you to important operating and maintenance instructions in the accompanying literature. Read the manual!



Warning! Dangerous voltages: Risk of electric shock.



This symbol alerts the user to recommendations about the product's use and maintenance.



This device complies with the Restriction of Hazardous Substances Directive.

SAFETY



WARNING

- Install the speaker only in a location that can structurally support the weight of the unit. Doing otherwise may result in the unit falling down and causing personal injury and property damage.
- Professional loudspeakers are capable of producing extremely high sound levels and should be used with care. Hearing loss is cumulative and can result from levels above 90dB if people are exposed for an extended period.
- Do not operate the speaker for an extended period of time with the sound distorting. This is an indication of malfunction, which in turn can cause heat to generate and result in a fire.
- Never stand close to loudspeakers driven at high level.
- Suspending the system should only be done by qualified personnel following safe rigging practices. Secure fixings to the building structure are vital. If in any doubt, seek help from architects, structural engineers or other specialists.
- No naked flame sources such as lighted candles should be placed near the device.
- Do not attempt to disassemble the unit. The unit contains no user serviceable parts. Repairs should be performed only by factory trained service personnel.

DECLARATION OF CONFORMITY



This device complies with the essential protection requirements of Council Directive 89/336/EEC for the implementation of the Laws of the Member States relating to electromagnetic compatibility. This declaration applies to all specimens and manufacturing drawings which form part of this declaration. Assessment of compliance of the product with the requirements relating to electromagnetic compatibility was based on the following standards.
Please observe the respective country-specific regulations!

Safety: EN 60065:1998

EMC:

EN 55103-1 1997 Emission (1)

EN 55103-2 1997 Immunity (2)

(1) This device may not cause harmful interference

(2) This device must accept any interference received including interference that may cause undesired operation



WEEE

Please dispose of this product at the end of its operational lifetime by bringing it to your local collection point or recycling centre for such equipment.

The contents of this manual are furnished for informational purpose only. Hp Sound Equipment s.r.l. assumes no responsibility for any errors or inaccuracies that may appear in this manual. Hp Sound Equipment s.r.l. reserves the right to make modifications without prior notice

KU36

KU36

Ultra slim, high power sub woofer

1. INTRODUCTION

The KU36 is a compact but extremely powerful, line array bass system comprised of 1 x 6" neodymium transducers combined with 2 x 6" passive transducer, engineered for maximum linear excursion and minimum residual noise.

With a frequency range of 45Hz to 300Hz, the KU36 is a companion to any of the K-array Installation Series speakers, as well as the KZ10 or KV50. The combination provides full range frequency response with prodigious output and a virtually invisible profile.

KA series amplifiers have presets specifically optimized for KU36 applications.

All KU36 components are designed by the K-array R&D department and custom made under the K-array quality control system.

2. APPLICATIONS

- **Theatre, Club, Churches**
- **To extend the low range in small and midium rooms**
- **Portable and installed AV systems**
- **Stage and AV studio monitoring**

3. KEY FEATURES

- Unique performance-to-size ratio
- 6" long-excursion woofer
- Double 6" passive radiator
- Extended frequency response
- Electronically protected
- Integrated flying points
- Double voice coil (4W+4W)
- Top quality components for outstanding performance
- Weather proof, suitable for outdoor installations
- Available in black or white

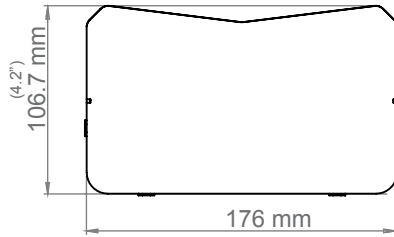
4. UNPACKING

Each K-array fixture is built to the highest standard and thoroughly inspected before leaving the factory. Carefully inspect the shipping carton, then examine and test your new loudspeaker and lighting fixture. If you find any damage immediately notify the shipping company. Only the consignee may institute a claim for damages incurred in shipping. It is suggested that you retain the original packaging so that the system can be repacked at a future date if necessary. Please note that K-array and its distributors cannot accept any responsibility for damage to any returned product through the use of non-approved packaging.

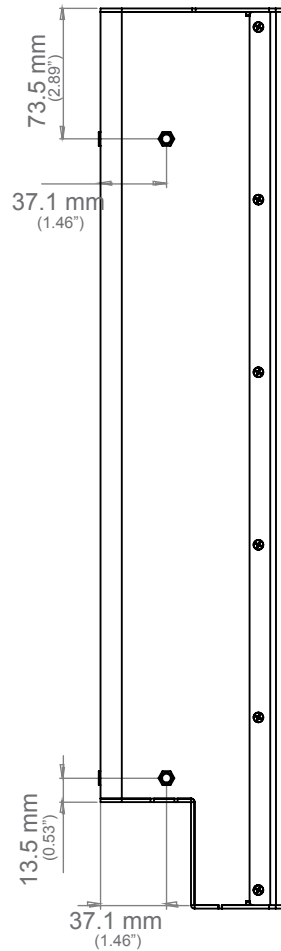
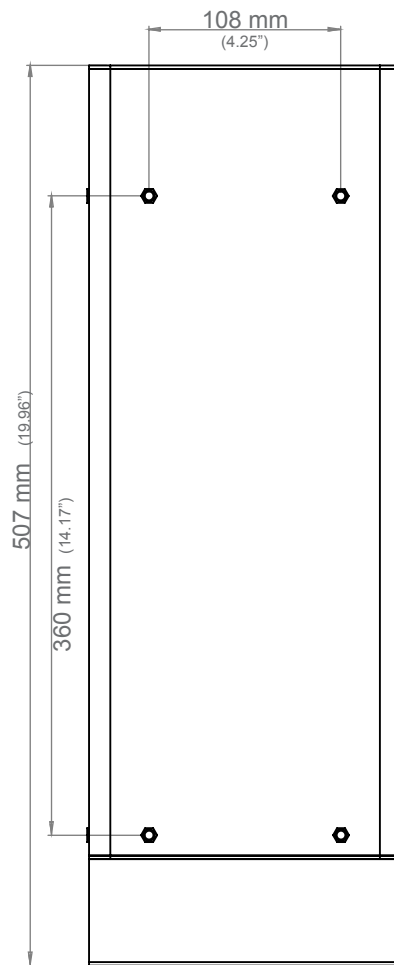
5. INCLUDED ACCESSORIES

- 1 x user's manual
- 1 x 4-pin Phoenix connector
- 1 x serial cable

6. PHYSICAL

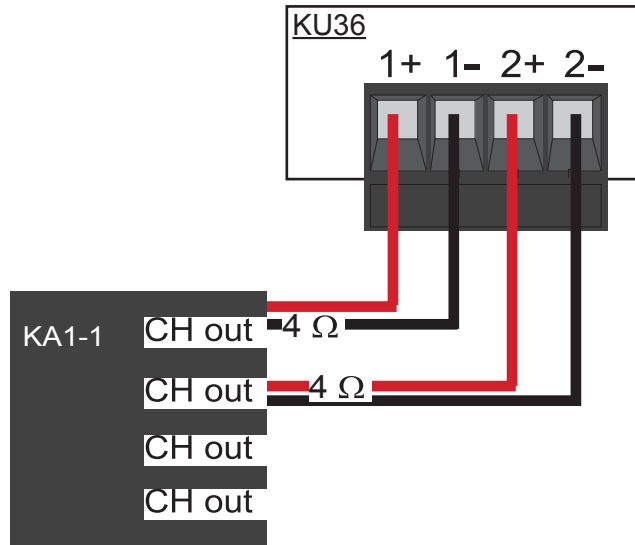


weight: 6.8 Kg (15 lbs)

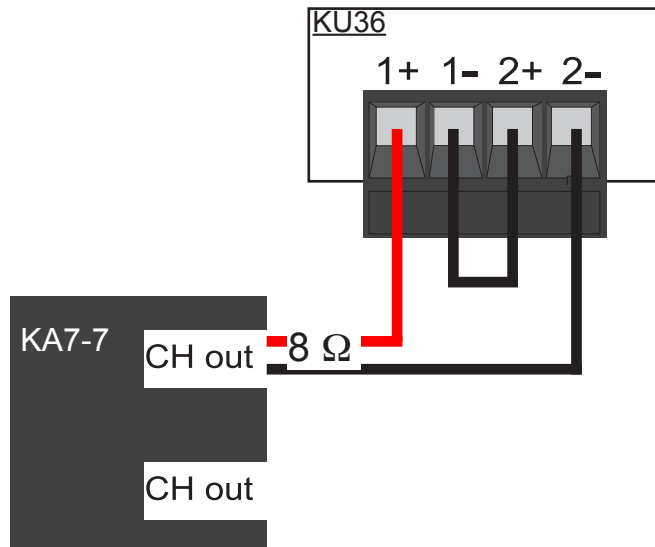


7. WIRING

4 Ω MODE



8 Ω MODE



SPECIFICATIONS

	<i>KU36</i>
	Acoustics
Power handling	2 X 80 W ^(AES)
Impedance	2 X 4Ω
Operating frequency range	45 Hz - 300 KHz.
SPL 1W / 1mt	89 dB
Maximum SPL	115 dB continuous - 121 dB peak
	Transducers
Full range	1 X 6" Neodymium magnet with 1.5" voice coil + 2 X 6" passive transducer
	Audio Input
Connectors	4-pin Phoenix
Wiring	Pin1=Ch 1+, Pin2=Ch 1-, Pin3=Ch 2+, Pin4=Ch 2-
	Recommended Amplifiers
	KA1-1, KA7-7, KA10-10
	Physical
Dimensions	50.7 x 17.5 x 10.5 cm (19.96" x 6.89" x 4.13")
Weight	6.8 Kg (15 lbs)
	New materials and design are introduced into existing products without previous notice. Present systems may differ in some respects from those presented in this brochure.



k-array is a brand of
HP Sound Equipment s.r.l.

Viale Roma 7/i - 50037
San Piero a Sieve (Firenze) - Italy
tel. +39 055 8487222 - fax. +39 0558487238
e-mail: info@k-array.com
www.k-array.com

