

MD 21 U

Microphones | Dynamic Microphone

Cat. No. 000292

General Description

The MD 21 U can be used for both speech broadcasting (interviews, reporting, discussions, etc.) and music broadcasting (boom and room mics). Colour: black.



Technical Data

Pick-up pattern	omni-directional
Frequency response	40 – 18,000 Hz
Sensitivity (free field, no load, 1 kHz)	1.8 mV/Pa ± 2.5 dB
Nominal impedance	200 Ω
Min. terminating impedance	200 Ω
Dimensions	137 x 65 x 67 mm
Weight	approx. 280 g

Features

- Rugged all metal body
- Extremely low sensitivity to handling noise
- Very insensitive to pop and wind noise
- Uniform frequency response
- Excellent sound quality
- Integral microphone clamp thread
- Delivery includes: 1 MD 21 U

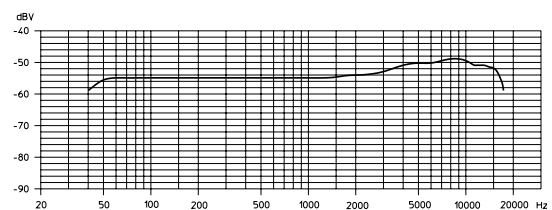
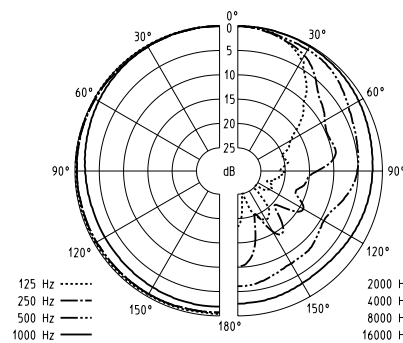
Recommended Accessories

- MZT 100 table stand
- MZW 416-1 foam windshield
- MZW 421 foam windshield

Cat. No. 0 01883

Cat. No. 0 01536

Cat. No. 0 00536



Profile

Omni-directional reporter's microphone, frequency response 40 – 18,000 Hz, sensitivity (free field, no load) 1.8 mV/Pa ± 2.5 dB at 1 kHz, nominal impedance 200 Ω, min. terminating impedance 200 Ω, dimensions 137 x 65 x 67 mm, weight approx. 280 g.